

MALE R/ ANGLE HEADER WITH EXTRACTORS

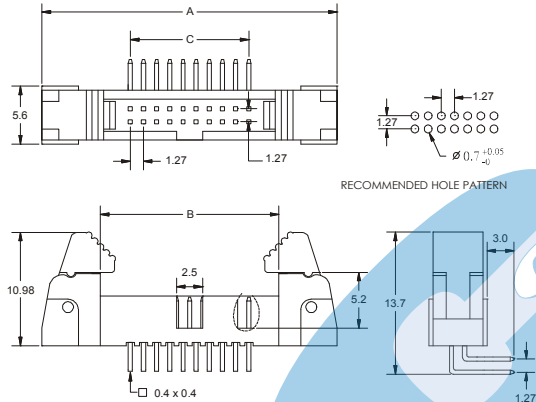


1347 SERIES. 1.27 x 1.27 mm. (0.050 x 0.050"). For PCB solder

Features

- Available in 10, 12, 14, 16, 20, 22, 26, 30, 34, 40, 44 and 50 circuits
- Insulator material: Nylon 6T UL 94V-0
- Mates with female header 1341
- 0.40 x 0.40 mm square pin in phosphor bronze with different plating
- Completely polarised
- With extractors

Dimensional information:



Ordering and dimensional information:

| Circuit Size | Part Number | Dimensions | | |
|--------------|--------------------|---------------|---------------|---------------|
| | | A | B | C |
| 10 | 1347 - T100 | 22.12 (0.871) | 10.86 (0.427) | 5.08 (0.200) |
| 12 | 1347 - T120 | 23.39 (0.881) | 12.13 (0.477) | 6.35 (0.250) |
| 14 | 1347 - T140 | 24.66 (0.971) | 13.40 (0.527) | 7.62 (0.300) |
| 16 | 1347 - T160 | 25.93 (1.021) | 14.67 (0.577) | 8.89 (0.350) |
| 20 | 1347 - T200 | 28.47 (1.121) | 17.21 (0.677) | 11.43 (0.450) |
| 22 | 1347 - T220 | 29.74 (1.171) | 18.48 (0.727) | 12.70 (0.500) |
| 26 | 1347 - T260 | 32.28 (1.271) | 21.02 (0.827) | 15.24 (0.600) |
| 30 | 1347 - T300 | 34.82 (1.371) | 23.56 (0.927) | 17.78 (0.700) |
| 34 | 1347 - T340 | 37.36 (1.471) | 26.10 (1.027) | 20.32 (0.800) |
| 40 | 1347 - T400 | 41.17 (1.621) | 29.91 (1.177) | 24.13 (0.950) |
| 44 | 1347 - T440 | 43.71 (1.721) | 32.45 (1.277) | 26.67 (1.050) |
| 50 | 1347 - T500 | 47.52 (1.871) | 36.26 (1.427) | 30.48 (1.200) |

T = Contact Plating

- T = 2. Tin plated
- T = 3. Gold flash over 50µ" nickel.
Recommended Finish
- T = 5. 15µ" gold over 50µ" nickel
- T = 6. 30µ" gold over 50µ" nickel