

2.36mm POWER CONNECTOR



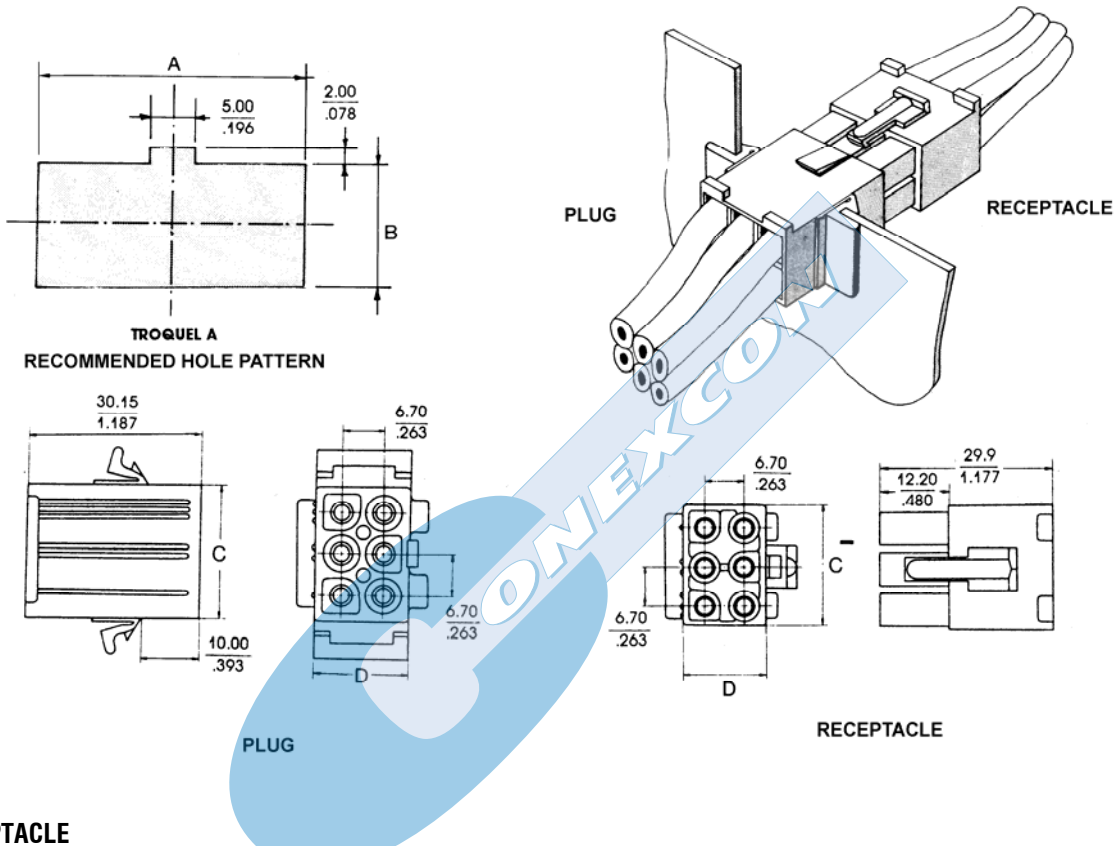
6750 SERIES. For Panel Mounted and Free Hanging

Features

- Available in 1, 2, 3, 4, 5, 6, 9, 12 and 15 circuits
- Positive housing lock for secure mating retention
- Integrally moulded mounting ears available
- Material: Nylon 6/6 UL94 V-2, Colour: Natural
- Accepts 6721, 6722, 6723 and 6724 series crimp terminal
- For free hanging or panel mounted
- 6.70mm(.263") spacing in grid pattern

Dimensional Information

Ordering and Dimensional Information



RECEPTACLE

Circuit Size	Model	Current Rating Amps	Voltage	Part Number		Dimensions			
				With ears	Without ears	A	B	C	D
1	-	12	600	-	6750 - 1011	-	-	7.60	7.60
2	-	12	600	-	6750 - 1021	-	-	14.30	7.60
3	-	11	600	-	6750 - 1031	-	-	21.50	7.60
4	-	9	600	-	6750 - 1041	-	-	27.70	7.60
6	-	9	600	-	6750 - 1061	-	-	21.00	14.30
9	-	8	600	-	6750 - 1091	-	-	21.00	21.00
12	-	7	600	-	6750 - 1121	-	-	27.70	21.00
15	-	7	600	-	6750 - 1151	-	-	34.40	21.00

PLUG

Circuit Size	Model	Current Rating Amps	Voltage	Part Number		Dimensions			
				With ears	Without ears	A	B	C	D
1	A	12	600	6750 - 2011	6750 - 2012	12.30	9.30	8.15	8.15
2	A	12	600	6750 - 2021	6750 - 2022	20.30	9.30	14.85	8.15
3	A	11	600	6750 - 2031	6750 - 2032	26.00	9.30	21.55	8.15
4	A	9	600	6750 - 2041	6750 - 2042	32.30	9.30	28.20	8.15
6	A	9	600	6750 - 2061	6750 - 2062	26.60	16.70	22.55	15.35
9	A	8	600	6750 - 2091	6750 - 2092	26.60	23.10	22.55	22.05
12	A	7	600	6750 - 2121	6750 - 2122	33.00	23.10	28.96	22.05
15	A	7	600	6750 - 2151	6750 - 2152	39.50	23.10	35.36	22.05