

# MICRO POWER STRAIGHT HEADER SMT



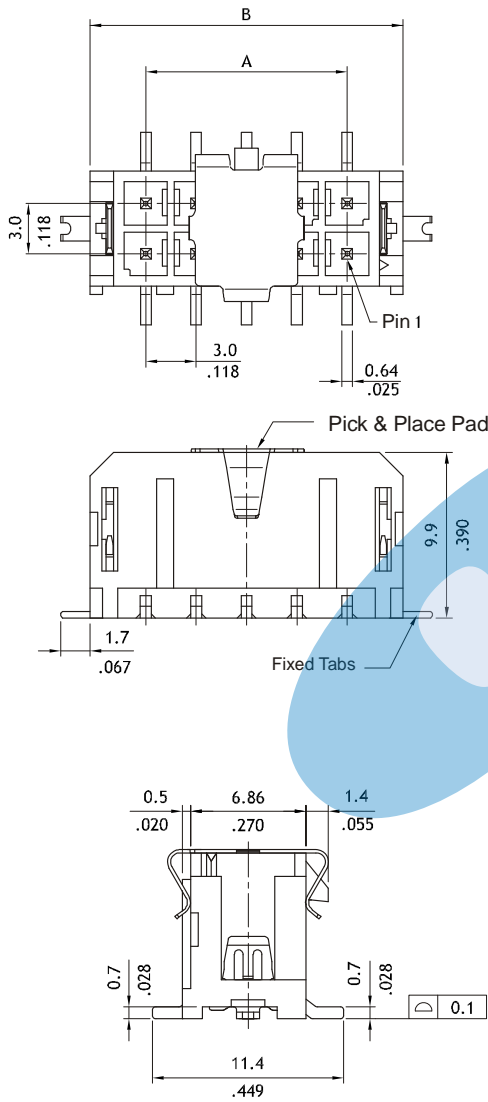
## 5755 SERIES. 3.00mm(0.118"). For High Current / High Density

### Features

- Available in 2 through 24 circuits
- Insulator Material: Nylon 6T UL 94V-0, Colour: Black
- Contact Material: Brass
- Mates with 5740 series housing
- With metal fixed tabs
- Standard plating tin over Nickel plated.
- Optional plating available but MOQ requested
- Current Rating: 5 A maximum

### Dimensional Information

### Ordering and Dimensional Information



Circuit Size	Part Number	Dimensions	
		A	B
2	5755 - T021E	-	6.70 (.264)
4	5755 - T041E	3.00 (.118)	9.70 (.382)
6	5755 - T061E	6.00 (.236)	12.70 (.500)
8	5755 - T081E	9.00 (.354)	15.70 (.618)
10	5755 - T101E	12.00 (.472)	18.70 (.657)
12	5755 - T121E	15.00 (.591)	21.70 (.854)
14	5755 - T141E	18.00 (.709)	24.70 (.972)
16	5755 - T161E	21.00 (.827)	27.70 (1.091)
18	5755 - T181E	24.00 (.945)	30.70 (1.209)
20	5755 - T201E	27.00 (1.063)	33.70 (1.327)
22	5755 - T221E	30.00 (1.181)	36.70 (1.445)
24	5755 - T241E	33.00 (1.299)	39.70 (1.563)

### T = Contact Plating

- T = 2. Tin plated  
Recommended Finish

### E = Packing Options

- E = 6. Metal Pad + Reel

