

CRIMP TERMINAL (AWG 20-24)



5741 & 5742 SERIES. Crimp Terminal.

Features

- Lateral Carrier
- Material: Phosphor Bronze
- Pin plating options are available
- Current Rating: 5 A maximum
- Contact Resistance: 10 mΩ
- Wire Ranges: AWG 20 - 24
- Four points of contact
- Insulation Diameter: 2.50mm(.098") maximum

Dimensional Information

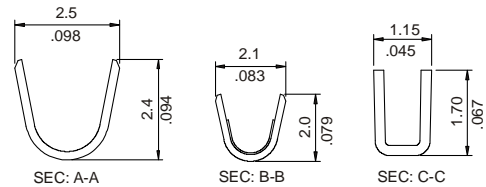
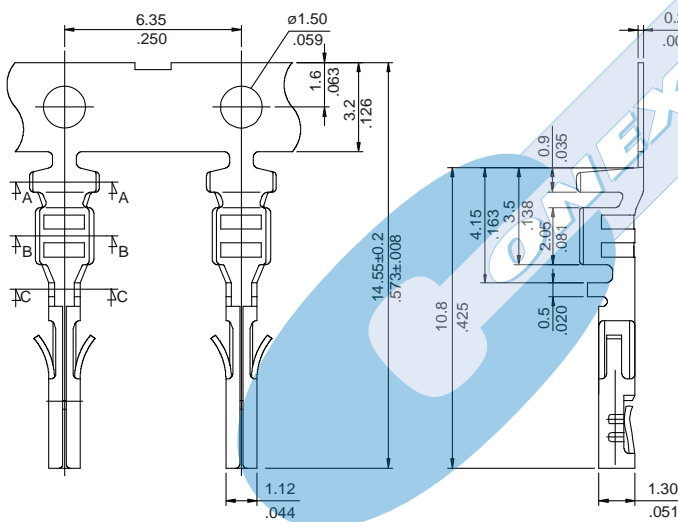
Ordering and Dimensional Information

| Type | Part Number | Material | Wire Ranges | Reel Quantity |
|--------|-------------|-----------------|-------------|-------------------|
| Male | 5741 - T000 | Phosphor Bronze | AWG 20 - 24 | 12,000 Pcs (Reel) |
| Male | 5741 - T001 | Phosphor Bronze | AWG 20 - 24 | Loose Piece |
| Female | 5742 - T000 | Phosphor Bronze | AWG 20 - 24 | 12,000 Pcs (Reel) |
| Female | 5742 - T001 | Phosphor Bronze | AWG 20 - 24 | Loose Piece |

T = Contact Plating

- T = 2. Tin plated
Recommended Finish
- T = 3. Gold flash over 50μ" nickel
- T = 5. 15μ" gold over 50μ" nickel
- T = 6. 30μ" gold over 50μ" nickel

FEMALE TERMINAL



MALE TERMINAL

