

1.30mm CRIMP TERMINAL (AWG 18–20)



5311 & 5312 SERIES. 1.30mm(0.051). Crimp Terminal.

Features

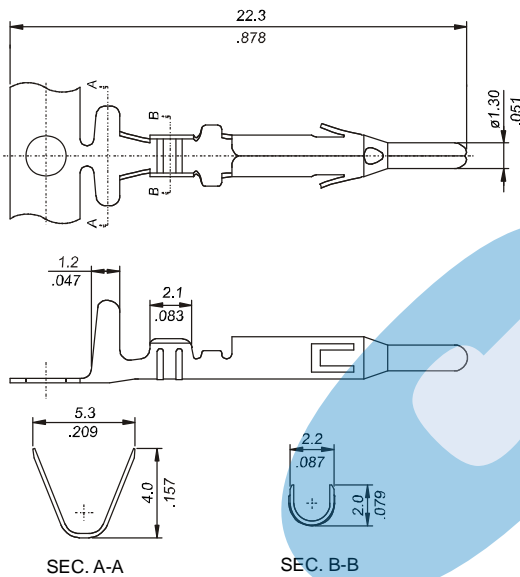
- Lateral Carrier
- Material: Tin-plated brass
- Current Rating: 7 A maximum
- Contact Resistance: 20mΩ maximum
- Wire Ranges: AWG 18 -20

Dimensional Information

Ordering and Dimensional Information

Type	Part Number	Material	Wire Ranges	Reel Quantity
Male	5311 - 2000	Brass, Tin Plated	AWG 18 – 20	5,000 Pcs (Reel)
Male	5311 – 2001	Brass, Tin Plated	AWG 18 – 20	Loose Piece
Female	5312 – 2000	Brass, Tin Plated	AWG 18 – 20	5,000 Pcs (Reel)
Female	5312 - 2001	Brass, Tin Plated	AWG 18 – 20	Loose Piece

5311 SERIES (Male Terminal))



5312 SERIES (Female Terminal)

