

2.13mm DISK DRIVE CONNECTORS



5030 SERIES. 2.13mm(0.083"). Power Connector

Features

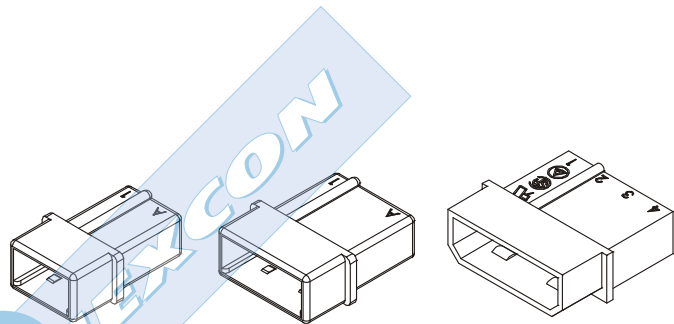
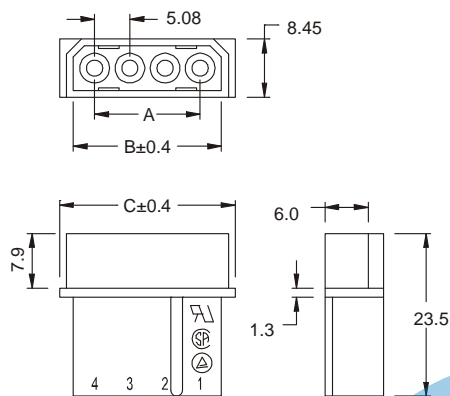
- Available in 2, 3 and 4 circuits
- Polarised and friction lock
- Material: Nylon UL 94V-2, Colour: Natural
- Power connector for Disk Drive
- Mates with 5031, 5032, 5033 and 5034 crimp terminals
- Mates with 5035 series headers
- 5.08mm(.200") Centre spacing wire to wire

Dimensional information

Ordering and Dimensional information

PLUG

Circuit Size	Part Number	Dimensions		
		A	B	C
02	5030-2022	5.08 (0.200)	11.24 (0.442)	15.24 (0.600)
03	5030-2032	10.16 (0.400)	16.32 (0.642)	20.32 (0.800)
04	5030-2042	15.24 (0.600)	21.40 (0.842)	25.40 (1.000)



RECEPTACLE

Circuit Size	Part Number	Dimensions	
		A	B
02	5030-1022	5.08 (0.200)	10.84 (0.427)
03	5030-1032	10.16 (0.400)	15.92 (0.627)
04	5030-1042	15.24 (0.600)	21.00 (0.827)

