

# 1.58mm MINI POWER CONNECTOR



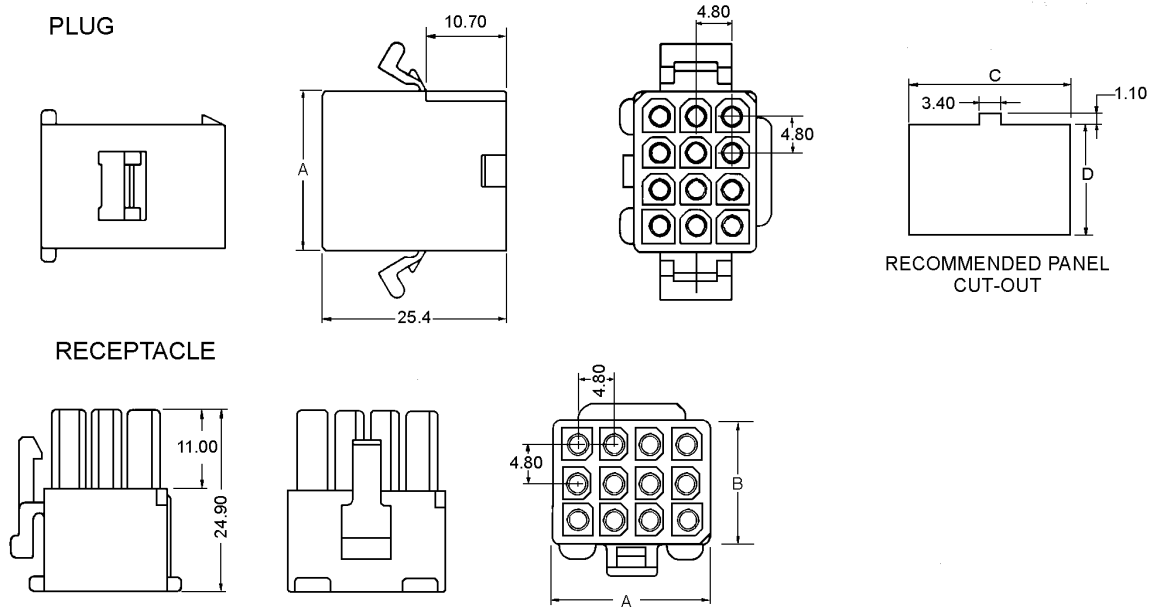
## 4800 SERIES. For Panel and Free Hanging Mounting.

### Features

- Available in 2, 3, 4, 6, 9, 12 and 15 circuits
- Positive housing lock for secure mating retention
- Integrally moulded mounting ears available
- Material: Nylon 6/6 UL94 V-2, Colour: Natural
- Accepts 6731, 6732, 6733 and 6734 series crimp terminal
- For free hanging or panel mounted
- 4.80mm(.189") spacing in grid pattern

### Dimensional Information

### Ordering and Dimensional Information



### RECEPTACLE

Circuit Size	Model	Current Rating Amps.	Voltage	Part Number		Dimensions			
				With ears	Without ears	A	B	C	D
2	-	5	250	-	<b>4800 - 1021</b>	12.00	7.20	-	-
3	-	5	250	-	<b>4800 - 1031</b>	16.80	7.20	-	-
4	-	4	250	-	<b>4800 - 1041</b>	21.60	7.20	-	-
6	-	4	250	-	<b>4800 - 1061</b>	16.80	12.00	-	-
9	-	4	250	-	<b>4800 - 1091</b>	16.80	16.80	-	-
12	-	4	250	-	<b>4800 - 1121</b>	21.50	16.80	-	-
15	-	4	250	-	<b>4800 - 1151</b>	26.00	16.80	-	-

### PLUG

Circuit Size	Model	Current Rating Amps.	Voltage	Part Number		Dimensions			
				With ears	Without ears	A	B	C	D
2	A	5	250	<b>4800 - 2021</b>	<b>4800 - 2022</b>	12.00	7.20	15.80	7.80
3	A	5	250	<b>4800 - 2031</b>	<b>4800 - 2032</b>	16.80	7.20	20.60	7.80
4	A	4	250	<b>4800 - 2041</b>	<b>4800 - 2042</b>	21.60	7.20	25.40	7.80
6	A	4	250	<b>4800 - 2061</b>	<b>4800 - 2062</b>	16.80	12.00	20.60	12.60
9	A	4	250	<b>4800 - 2091</b>	<b>4800 - 2092</b>	16.80	16.80	20.60	17.40
12	A	4	250	<b>4800 - 2121</b>	<b>4800 - 2122</b>	21.50	16.80	25.60	17.40
15	A	4	250	<b>4800 - 2151</b>	<b>4800 - 2152</b>	26.00	16.80	30.40	17.40