

SECURITY PROTECTION RJ45

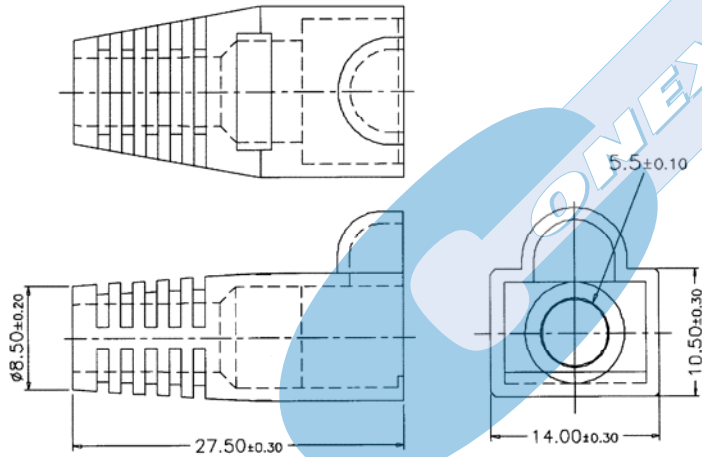


6871 SERIES. For telephone plugs RJ45

Features

- Available for RJ45 version 8/8
- Material: PVC + ABS
- Standard Colour: grey
- Protects the cable against twisting and bending
- Strengthens the connection between cable and connector
- Protects the pick of the plug RJ45

Dimensional Information



Ordering and Dimensional Information

Part Number	COLOUR
6871 - 2001	Grey

