

# 1.25mm HORIZONTAL DIP ZIF CONNECTOR



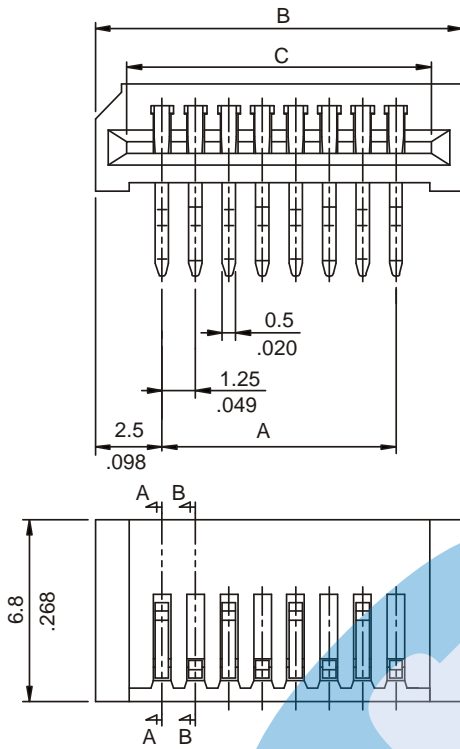
## 2139 SERIES. 1.25 mm. (0.049"). For PCB Solder.

### Features

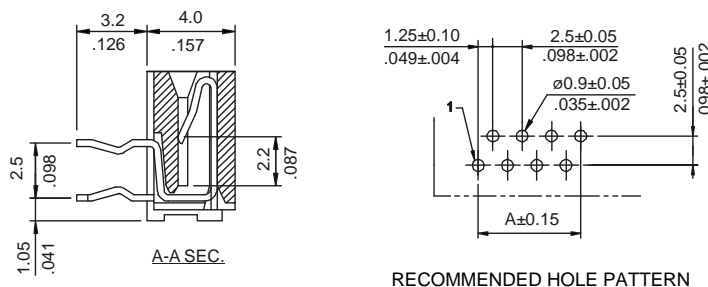
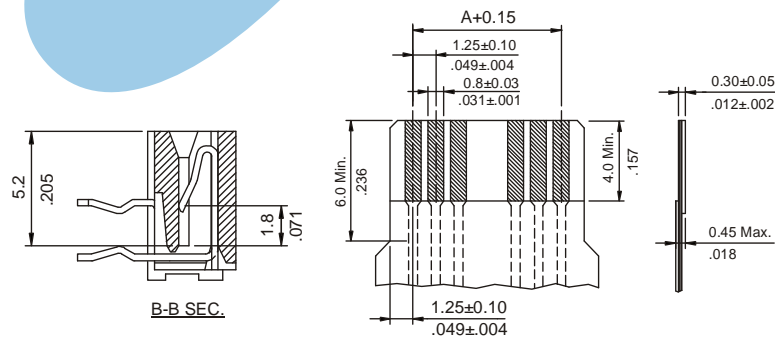
- Available in 4 to 36 circuits
- Insulator Material: Polyester with fibre glass; UL 94V-0
- Low insertion force
- Contacts Tin plated
- Terminal designed to secure stability during soldering process
- For plates of 0.3 mm thickness

### Dimensional Information

### Ordering and Dimensional Information



| CIRCUITS | Part Number | DIMENSIONS   |              |              |
|----------|-------------|--------------|--------------|--------------|
|          |             | A            | B            | C            |
| 04       | 2139-2041   | 3,75(0,148)  | 8,55(0,337)  | 6,41(0,252)  |
| 05       | 2139-2051   | 5,00(0,197)  | 9,80(0,386)  | 7,66(0,302)  |
| 06       | 2139-2061   | 6,25(0,246)  | 11,05(0,435) | 8,91(0,351)  |
| 07       | 2139-2071   | 7,50(0,295)  | 12,30(0,484) | 10,16(0,400) |
| 08       | 2139-2081   | 8,75(0,344)  | 13,55(0,533) | 11,41(0,449) |
| 09       | 2139-2091   | 10,00(0,394) | 14,80(0,583) | 12,66(0,498) |
| 10       | 2139-2101   | 11,25(0,443) | 16,05(0,632) | 13,91(0,548) |
| 11       | 2139-2111   | 12,50(0,492) | 17,30(0,681) | 15,16(0,597) |
| 12       | 2139-2121   | 13,75(0,541) | 18,55(0,730) | 16,41(0,646) |
| 13       | 2139-2131   | 15,00(0,591) | 19,80(0,780) | 17,66(0,695) |
| 14       | 2139-2141   | 16,25(0,640) | 21,05(0,829) | 18,91(0,744) |
| 15       | 2139-2151   | 17,50(0,689) | 22,30(0,878) | 20,16(0,794) |
| 16       | 2139-2161   | 18,75(0,738) | 23,55(0,927) | 21,41(0,843) |
| 17       | 2139-2171   | 20,00(0,787) | 24,80(0,976) | 22,66(0,892) |
| 18       | 2139-2181   | 21,25(0,837) | 26,05(1,026) | 23,91(0,941) |
| 19       | 2139-2191   | 22,50(0,886) | 27,30(1,075) | 25,16(0,991) |
| 20       | 2139-2201   | 23,75(0,935) | 28,55(1,124) | 26,41(1,040) |
| 21       | 2139-2211   | 25,00(0,984) | 29,80(1,173) | 27,66(1,089) |
| 22       | 2139-2221   | 26,25(1,033) | 31,05(1,222) | 28,91(1,138) |
| 23       | 2139-2231   | 27,50(1,083) | 32,30(1,272) | 30,16(1,187) |
| 24       | 2139-2241   | 28,75(1,132) | 33,55(1,321) | 31,41(1,237) |
| 25       | 2139-2251   | 30,00(1,181) | 34,80(1,370) | 32,66(1,286) |
| 26       | 2139-2261   | 31,25(1,230) | 36,05(1,419) | 33,91(1,335) |
| 27       | 2139-2271   | 32,50(1,280) | 37,30(1,469) | 35,16(1,384) |
| 28       | 2139-2281   | 33,75(1,329) | 38,55(1,518) | 36,41(1,433) |
| 29       | 2139-2291   | 35,00(1,378) | 39,80(1,567) | 37,66(1,483) |
| 30       | 2139-2301   | 36,25(1,427) | 41,05(1,616) | 38,91(1,532) |
| 31       | 2139-2311   | 37,50(1,476) | 42,30(1,665) | 40,16(1,581) |
| 32       | 2139-2321   | 38,75(1,526) | 43,55(1,715) | 41,41(1,630) |
| 33       | 2139-2331   | 40,00(1,575) | 44,80(1,764) | 42,66(1,680) |
| 34       | 2139-2341   | 41,25(1,624) | 46,05(1,813) | 43,91(1,729) |
| 35       | 2139-2351   | 42,50(1,673) | 47,30(1,862) | 45,16(1,778) |
| 36       | 2139-2361   | 43,75(1,722) | 48,55(1,911) | 46,41(1,827) |



RECOMMENDED HOLE PATTERN