

1.25mm HORIZONTAL ZIF CONNECTOR

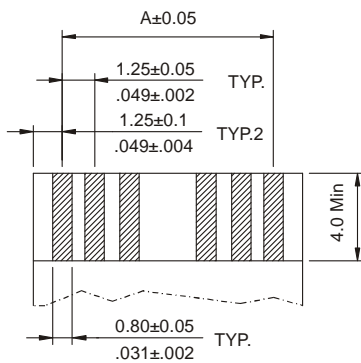
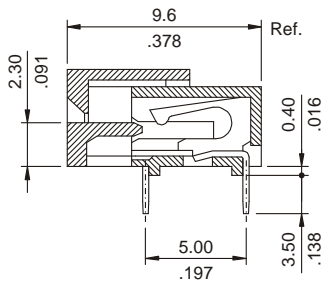
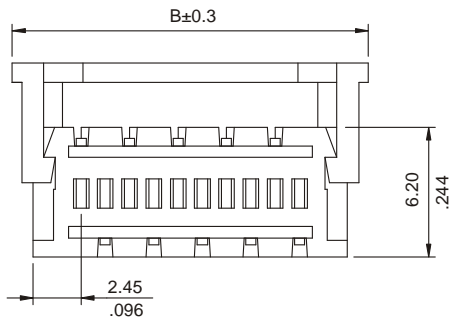
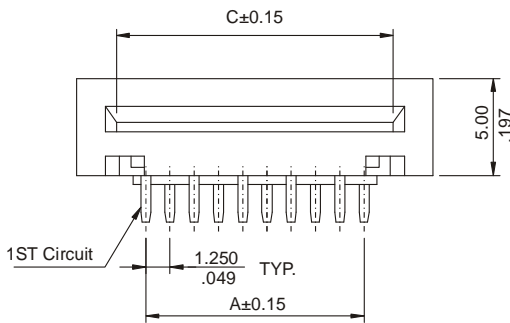


2127 SERIES. 1.25mm(0.049"). For PCB Solder

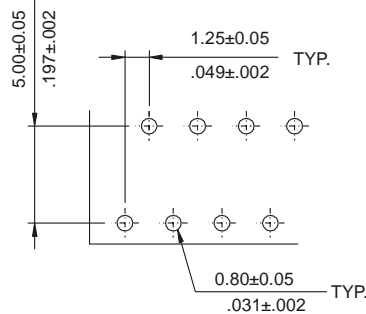
Features

- Available in 3 through 32 circuits
- Zero insertion force, firmly locks with snap
- Insulator Material: Glass filled polyester, UL 94V-0
- Contact Material: Phosphor bronze
- Compact, low profile and design for space saving and closer packaging densities
- Mates with Flexible Printed Circuit
- Contact resistance: 20 milliohms. Maximum

Dimensional Information



Accommodated FPC/FFC
(Thickness: 0.29 - 0.34 mm.)



RECOMMENDED HOLE PATTERN

Ordering and Dimensional Information

Circuit Size	Part Number	Dimensions		
		A	B	C
03	2127 - 2031	2.50(0.098)	9.60(0.378)	5.20 (0.205)
04	2127 - 2041	3.75(0.148)	10.85(0.427)	6.45 (0.254)
05	2127 - 2051	5.00(0.197)	12.10(0.476)	7.70 (0.303)
06	2127- 2061	6.25(0.246)	13.35(0.526)	8.95 (0.352)
07	2127- 2071	7.50(0.295)	14.60(0.575)	10.20 (0.402)
08	2127- 2081	8.75(0.344)	15.85(0.624)	11.45 (0.451)
09	2127- 2091	10.00(0.394)	17.10(0.673)	12.70 (0.500)
10	2127- 2101	11.25(0.443)	18.35(0.722)	13.95 (0.549)
11	2127- 2111	12.50(0.492)	19.60(0.772)	15.20 (0.598)
12	2127- 2121	13.75(0.541)	20.85(0.821)	16.45 (0.648)
13	2127- 2131	15.00(0.591)	22.10(0.870)	17.70 (0.697)
14	2127- 2141	16.25(0.640)	23.35(0.919)	18.95 (0.746)
15	2127- 2151	17.50(0.689)	24.60(0.969)	20.20 (0.795)
16	2127- 2161	18.75(0.738)	25.85(1.018)	21.45 (0.844)
17	2127- 2171	20.00(0.787)	27.10(1.067)	22.70 (0.894)
18	2127- 2181	21.25(0.837)	28.35(1.116)	23.95 (0.943)
19	2127- 2191	22.50(0.886)	29.60(1.165)	25.20 (0.992)
20	2127- 2201	23.75(0.935)	30.85(1.215)	26.45 (1.041)
21	2127- 2211	25.00(0.984)	32.10(1.264)	27.70 (1.091)
22	2127- 2221	26.25(1.033)	33.35(1.313)	28.95 (1.140)
23	2127- 2231	27.50(1.083)	34.60(1.362)	30.20 (1.189)
24	2127- 2241	28.75(1.132)	35.85(1.411)	31.45 (1.238)
25	2127- 2251	30.00(1.181)	37.10(1.461)	32.70 (1.287)
26	2127- 2261	31.25(1.230)	38.35(1.510)	33.95 (1.337)
27	2127- 2271	32.50(1.280)	39.60(1.559)	35.20 (1.386)
28	2127- 2281	33.75(1.329)	40.85(1.608)	36.45 (1.435)
29	2127- 2291	35.00(1.378)	42.10(1.657)	37.70 (1.484)
30	2127- 2301	36.25(1.427)	43.35(1.707)	38.95 (1.533)
31	2127- 2311	37.50(1.476)	44.60(1.756)	40.20 (1.583)
32	2127- 2321	38.75(1.526)	45.85(1.805)	41.45 (1.632)

