

1.00mm VERTICAL LIF SMT CONNECTOR

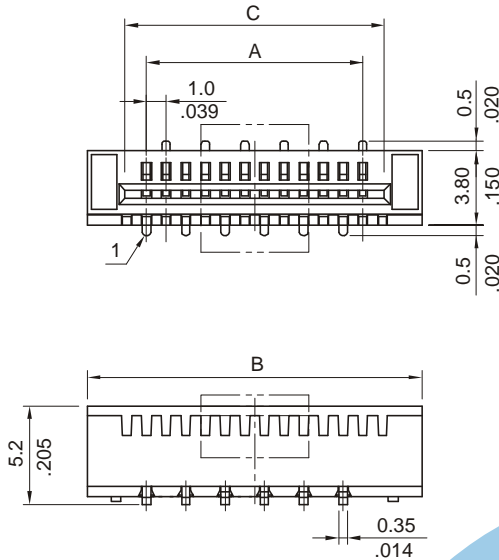


1764 SERIES. 1.00mm(0.039"). For PCB solder

Features

- Available in 4 through 32 circuits
- Insulator Material: Glass filled Nylon 6T UL 94V-0
- Contact Material: Phosphor bronze
- Low insertion force and high contact pressure
- Applicable FPC and FFC: Thickness 0.30mm(.012")
- Standard Parking: tube + plastic Pad
- For reel and plastic pad add R to Part Number end
- Part Number: 1764-2 (XX)1R. (XX = N° de circuitos)

Dimensional Information

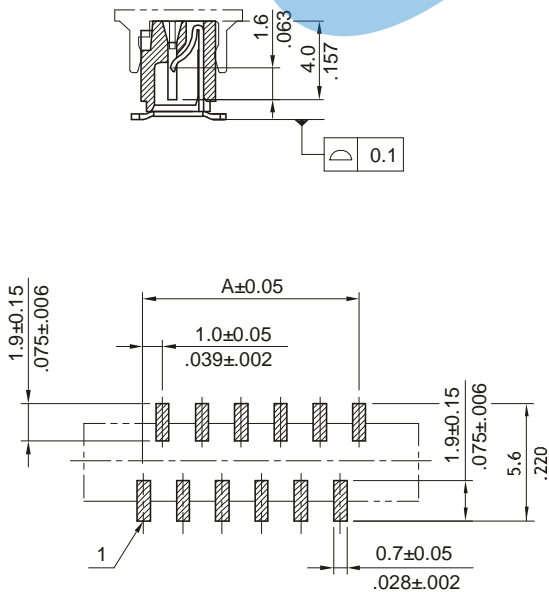


DIMMENSIONS

$$A = 1.00 \times \frac{\text{N}^\circ \text{ Circuits}}{2} - 1$$

$$B = A + 6.00$$

$$C = A + 2.1$$



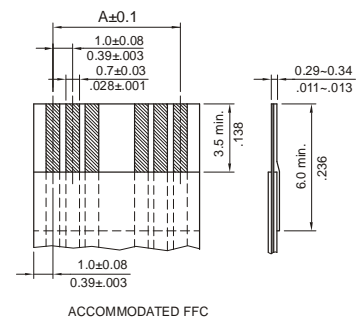
RECOMMENDED PCB LAYOUT

Ordering and Dimensional Information

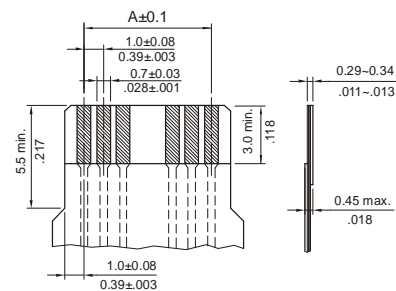
Circuit Size	Part Number	Dimensions		
		A	B	C
04	1764-2041	3,00(0,118)	9,00(0,354)	5,20(0,205)
05	1764-2051	4,00(0,157)	10,00(0,394)	6,20(0,244)
06	1764-2061	5,00(0,197)	11,00(0,433)	7,20(0,283)
07	1764-2071	6,00(0,236)	12,00(0,472)	8,20(0,323)
08	1764-2081	7,00(0,276)	13,00(0,512)	9,20(0,362)
09	1764-2091	8,00(0,315)	14,00(0,551)	10,20(0,402)
10	1764-2101	9,00(0,354)	15,00(0,591)	11,20(0,441)
11	1764-2111	10,00(0,394)	16,00(0,630)	12,20(0,480)
12	1764-2121	11,00(0,433)	17,00(0,669)	13,20(0,520)
13	1764-2131	12,00(0,472)	18,00(0,709)	14,20(0,559)
14	1764-2141	13,00(0,512)	19,00(0,748)	15,20(0,598)
15	1764-2151	14,00(0,551)	20,00(0,787)	16,20(0,638)
16	1764-2161	15,00(0,591)	21,00(0,827)	17,20(0,677)
17	1764-2171	16,00(0,630)	22,00(0,866)	18,20(0,717)
18	1764-2181	17,00(0,669)	23,00(0,906)	19,20(0,756)
19	1764-2191	18,00(0,709)	24,00(0,945)	20,20(0,795)
20	1764-2201	19,00(0,748)	25,00(0,984)	21,20(0,835)
21	1764-2211	20,00(0,787)	26,00(1,024)	22,20(0,874)
22	1764-2221	21,00(0,827)	27,00(1,063)	23,20(0,913)
23	1764-2231	22,00(0,866)	28,00(1,102)	24,20(0,953)
24	1764-2241	23,00(0,906)	29,00(1,142)	25,20(0,992)
25	1764-2251	24,00(0,945)	30,00(1,181)	26,20(1,031)
26	1764-2261	25,00(0,984)	31,00(1,220)	27,20(1,071)
27	1764-2271	26,00(1,024)	32,00(1,260)	28,20(1,110)
28	1764-2281	27,00(1,063)	33,00(1,300)	29,20(1,150)
29	1764-2291	28,00(1,102)	34,00(1,338)	30,20(1,189)
30	1764-2301	29,00(1,142)	35,00(1,378)	31,20(1,228)
31	1764-2311	30,00(1,181)	36,00(1,417)	32,20(1,268)
32	1764-2321	31,00(1,220)	37,00(1,456)	33,20(1,307)

*For Reel + Plastic Pad:

Add R to Part Number end: 1764-2 (XX)1R. (XX = N° of circuits)



ACCOMMODATED FFC



ACCOMMODATED FPC