

0.50mm HORIZONTAL SMT ZIF CONNECTOR

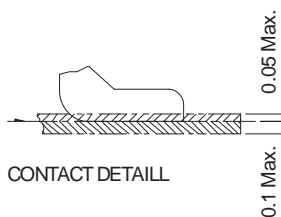
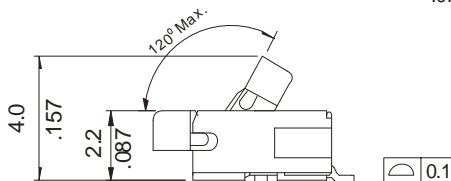
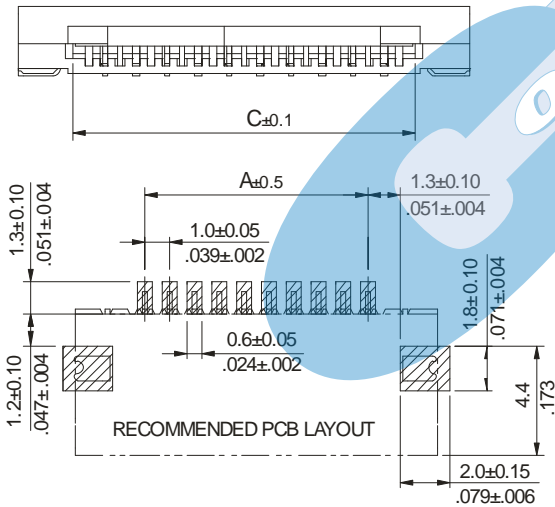
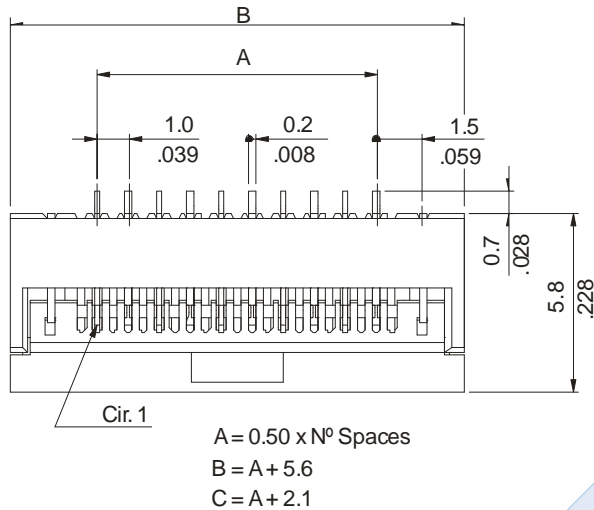


0512 SERIES. 0.50mm(0.020"). For PCB Solder

Features

- Available in 20 to 68 circuits
- Insulator Material: Thermoplastic natural colour; UL 94V-0
- Cover: Thermoplastic, dark brown colour; UL 94V-0
- Contact Material: Phosphor Bronze, Tin plated
- The cover is designed for easy cable insertion
- With fixed metal tabs to secure connector in place
- Available in Tube or Reel packing

Dimensional Information



Ordering and Dimensional Information

0512 - 2- XX- E
 1 2 3 4

1. Connector Series

2. (T) Contact Platings

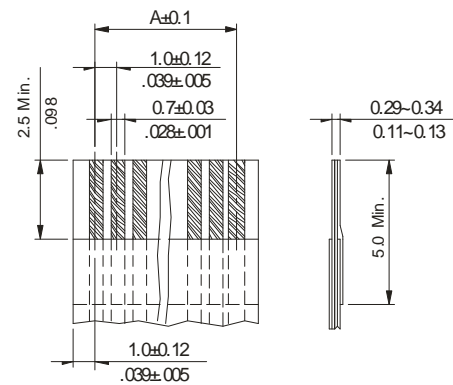
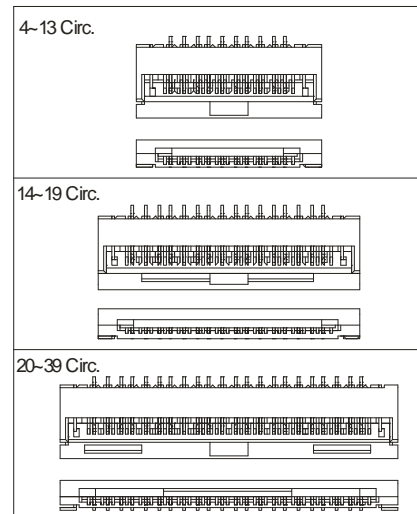
- Available in Tin plating

3. (XX) Circuit Numbers

- Available in 20 to 68 circuits

6. (E) Packing Options

- E = 1. Tube + Plastic Pad
- E = 2. Reel + Plastic Pad



0.50mm HORIZONTAL SMT ZIF CONNECTOR



0512 SERIES. 0.50mm(0.020"). For PCB Solder

Features

- Reel packing

Circuits	Dimensions				
	E	F	W1	W2	W3
8-9	16.0 (.630)	-	16.5 (.650)	22.5 (.885)	16.5 (.650)
10-23	24.0 (.945)	-	24.5 (.965)	30.5 (1.200)	24.5 (.965)
24-37	32.0 (1.260)	28.4 (1.118)	32.5 (1.280)	38.5 (1.516)	32.5 (1.280)
38-61	44.0 (1.732)	40.4 (1.596)	44.5 (1.752)	50.5 (1.988)	44.5 (1.752)
62-65	56.0 (2.204)	52.5 (2.067)	56.5 (2.224)	62.5 (2.460)	56.5 (2.224)

