

# DIN 41612 EUROCARD CONNECTOR



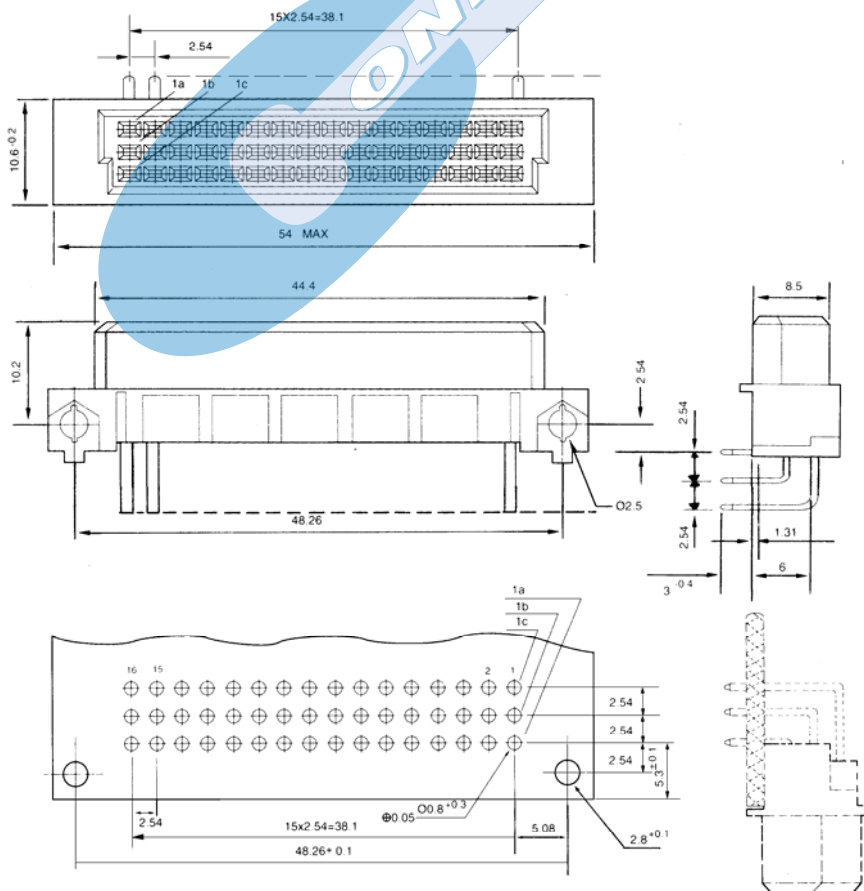
## 2332 SERIES. Female right angle. Type Half R Connectors

Circuit Size	Configuration	Part Number			
		PCB Solder 4mm	Wrap post tail length 13mm	Wrap post tail length 17mm	-
16	a	2332 – T061	-	-	-
16	a + c	2332 – T161	-	-	-
24	a + b + c	2332 – T241	-	-	-
32	a + b	2332 – T021	-	-	-
32	a + c	2332 – T321	-	-	-
48	a + b + c	2332 – T481	-	-	-



T = Plating and class connector

- T = 3. 0.20 μ" over 1.27 μ" Ni. 200 cycles class 2B
- T = 4. 0.38 μ" over 1.27 μ" Ni. 400 cycles class 2
- T = 5. 0.76 μ" over 1.27 μ" Ni. 500 cycles class 1



RECOMMENDED HOLE PATTERN