

MINI UHF CONNECTORS

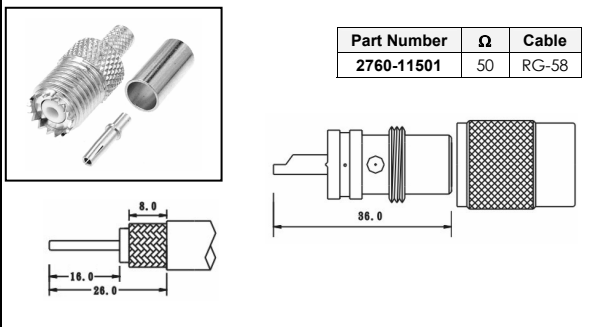


2760 SERIES.

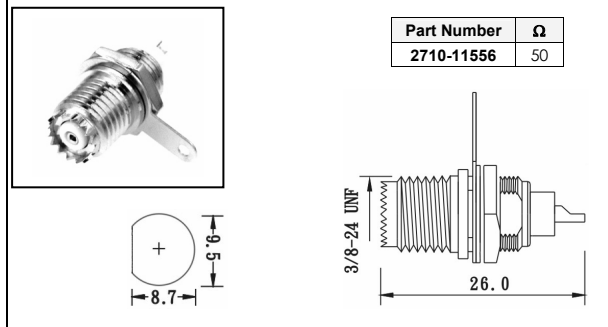
MINI-UHF SERIES

Connectors are designed for use as coaxial interconnections in cellular mobile telephone systems and similar applications where size, weight and cost factors are critical. These miniature 3/8"-24 thread size connectors provide an excellent RF performance for applications up to 2.5 GHz. This far out performs the limit of 300 MHz. For the standard 5/8"-24 thread UHF connectors. Mini UHF connectors combine excellent electrical characteristics, small size and lightweight at a relatively inexpensive cost for many coaxial connector applications

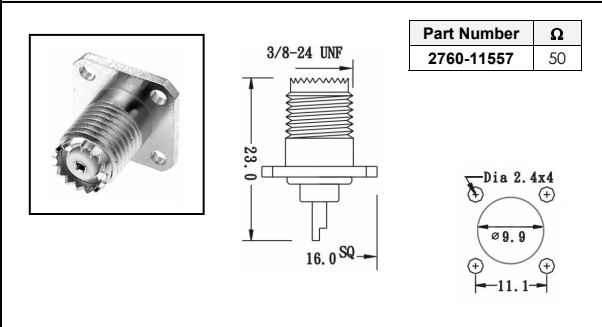
JACK CRIMP



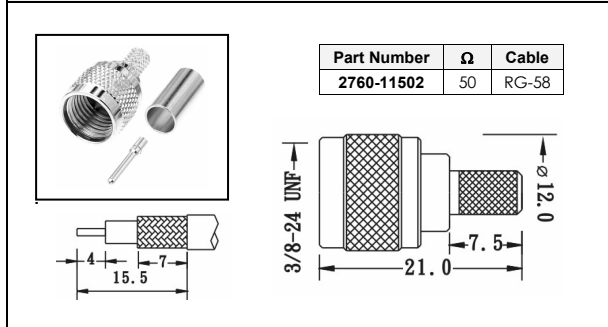
CONEC. HEMBRA SOLDAR CABLE PARA PANEL



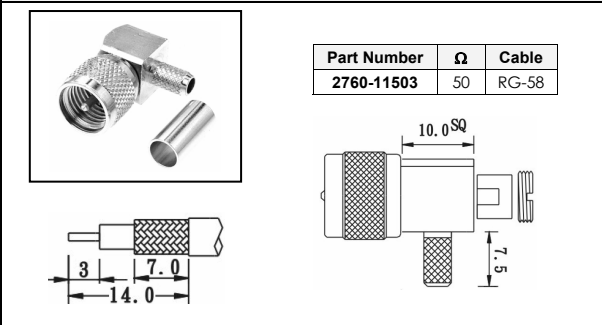
CON. HEMBRA SOLDAR CABLE PARA PANEL



CONECTOR MACHO DE ENGASTE



CONECTOR MACHO ENGASTE ACODADO



HEMBRA DE ENGASTE PARA PANEL

