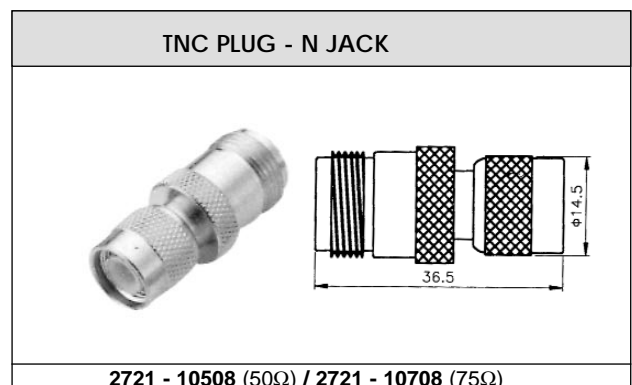
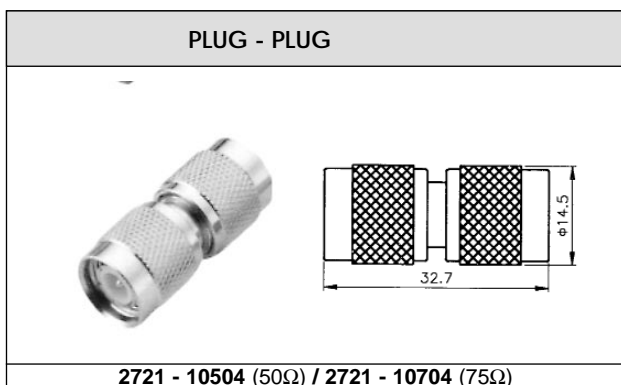
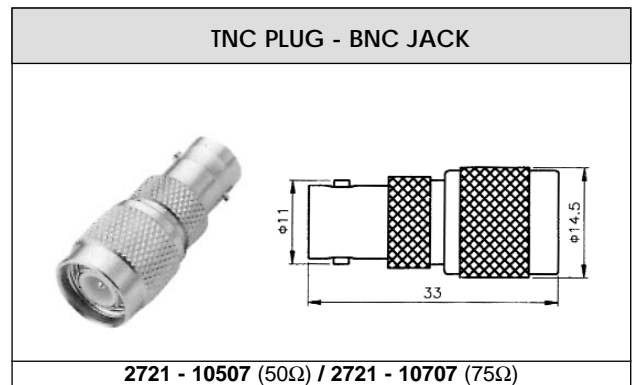
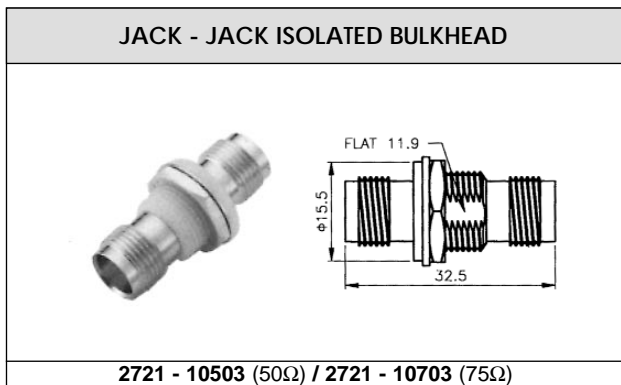
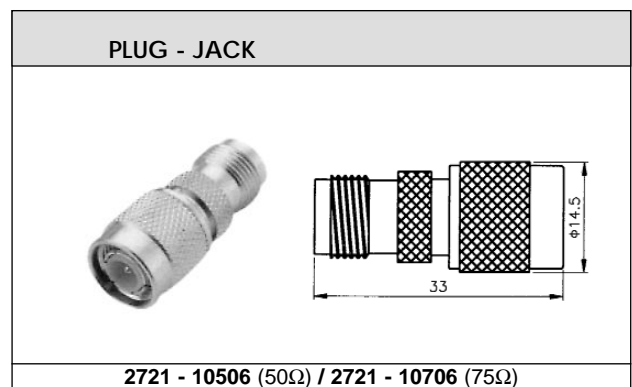
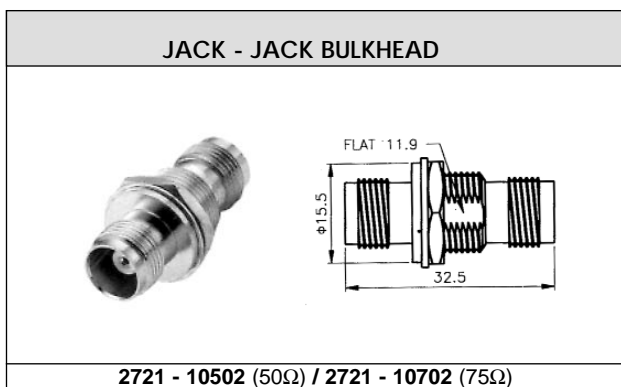
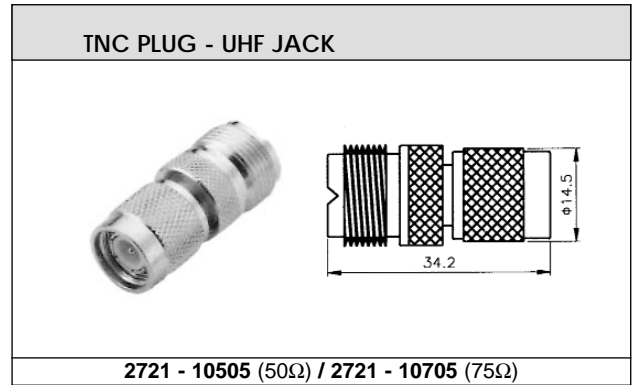
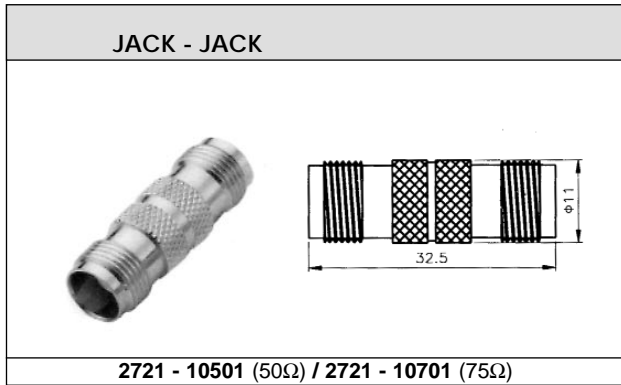
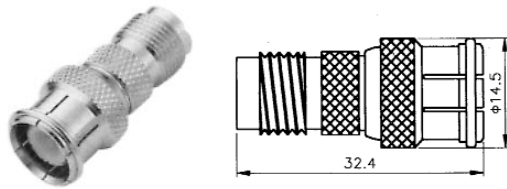


2721 SERIES.



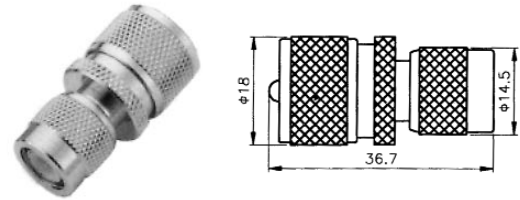
2721 SERIES.

JACK - PLUG PUSH ON



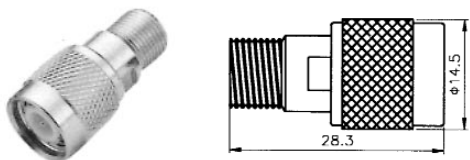
2721 - 10509 (50Ω) / 2721 - 10709 (75Ω)

TNC PLUG - UHF PLUG



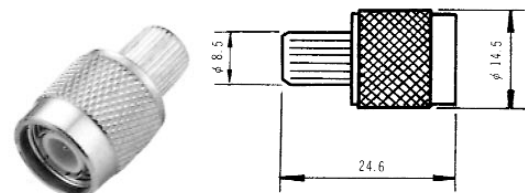
2721 - 30513 (50Ω) / 2721 - 30713 (75Ω)

TNC PLUG - F JACK



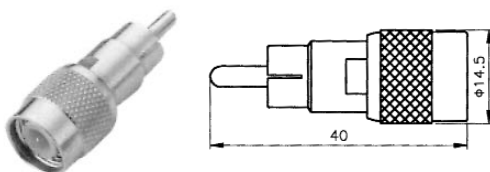
2721 - 10510 (50Ω) / 2721 - 10710 (75Ω)

PLUG TERMINATOR



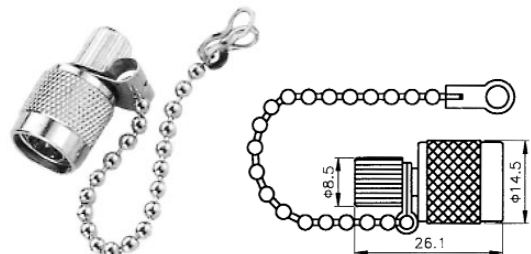
2721 - 10514 (50Ω) / 2721 - 10714 (75Ω)

TNC PLUG - RCA PLUG



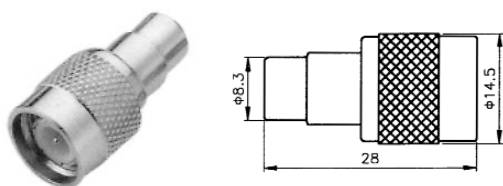
2721 - 30511 (50Ω) / 2721 - 30711 (75Ω)

PLUG TERMINATOR + CHAIN



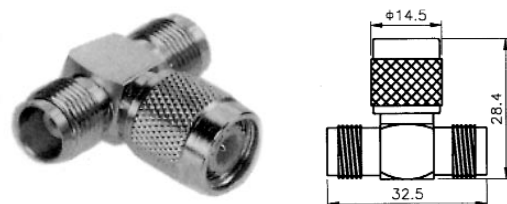
2721 - 10515 (50Ω) / 2721 - 10715 (75Ω)

TNC PLUG - RCA JACK



2721 - 30512 (50Ω) / 2721 - 30712 (75Ω)

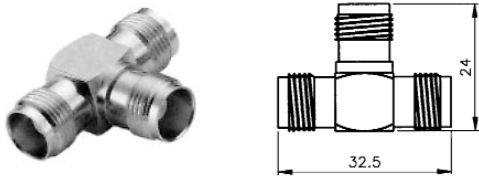
JACK - PLUG - JACK "TEE"



2721 - 10516 (50Ω) / 2721 - 10716 (75Ω)

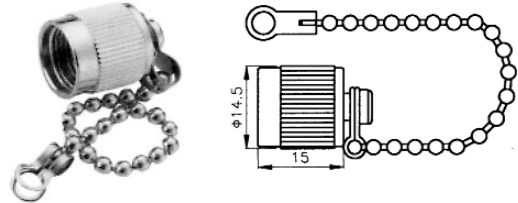
2721 SERIES.

JACK - JACK - JACK "TEE"



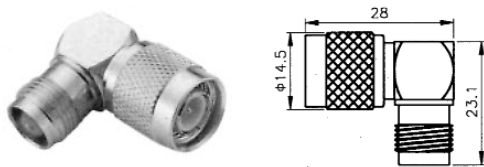
2721 - 10517 (50Ω) / 2721-10717 (75Ω)

PROTECTIVE CAP FOR JACK



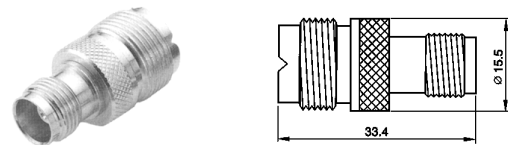
2721 - 10520

PLUG - JACK RIGHT ANGLE



2721 - 10518 (50Ω) / 2721 - 10718 (75Ω)

TNC JACK - UHF JACK



2721 - 10521 (50Ω) / 2721 - 10721 (75Ω)

PROTECTIVE CAP FOR PLUG



2721 - 10519