

SINGLE ROW STRAIGHT POLARISED HEADER

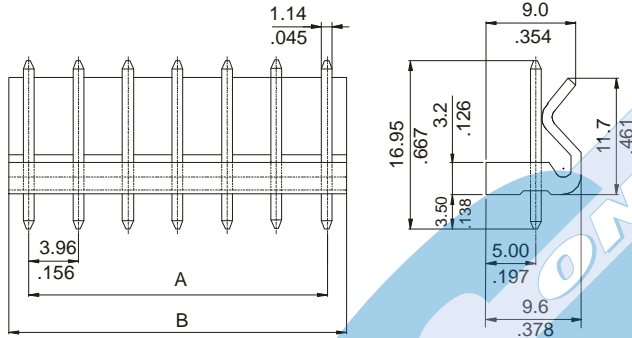


3966 SERIES. 3.96 mm. (0.156"). Square pin. For PCB solder

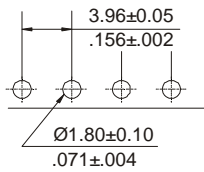
Features

- Available in 2 through 20 circuits
- Insulation Material: Nylon 6/6 UL 94V-0
- 1.14 mm. (.045") square pin
- Mates with 3940, 3970, 3971 series socket and PCB connector
- Polarised with friction lock
- Pin omit options are available in any circuit

Dimensional Information



RECOMMENDED HOLE PATTERN



Ordering and Dimensional Information

Circuit Size	Part Number	Dimensions	
		A	B
02	3966-2021	3,96(0,156)	7,90(0,311)
03	3966-2031	7,92(0,312)	11,90(0,469)
04	3966-2041	11,88(0,468)	15,80(0,622)
05	3966-2051	15,84(0,624)	19,80(0,780)
06	3966-2061	19,80(0,780)	23,80(0,937)
07	3966-2071	23,76(0,935)	27,70(1,091)
08	3966-2081	27,72(1,091)	31,70(1,248)
09	3966-2091	31,68(1,247)	35,60(1,402)
10	3966-2101	35,64(1,403)	39,60(1,559)
11	3966-2111	39,60(1,559)	43,60(1,717)
12	3966-2121	43,56(1,715)	47,50(1,870)
13	3966-2131	47,52(1,871)	51,50(2,028)
14	3966-2141	51,48(2,027)	55,40(2,181)
15	3966-2151	55,44(2,183)	59,40(2,339)
16	3966-2161	59,40(2,339)	63,40(2,496)
17	3966-2171	63,36(2,494)	67,30(2,650)
18	3966-2181	67,32(2,650)	71,30(2,807)
19	3966-2191	71,28(2,806)	75,20(2,961)
20	3966-2201	75,24(2,962)	79,20(3,118)