

2.54mm ELEVATED FEMALE HEADER

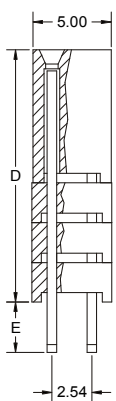
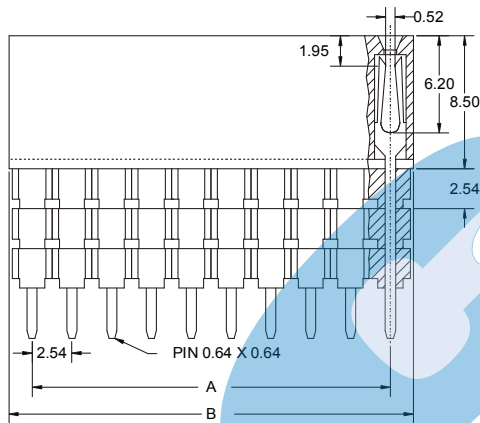
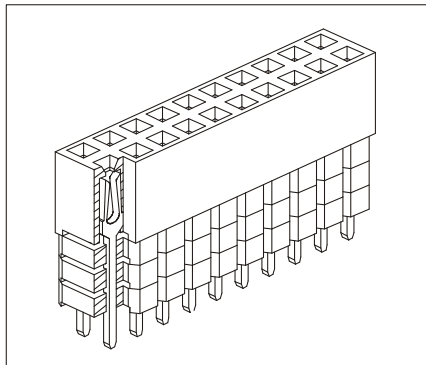


5452 SERIES. 2.54 x 2.54mm(0.100 X 0.100"). For PCB Solder

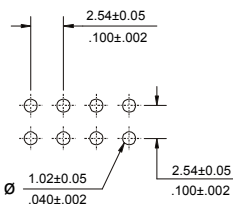
Features

- Available in 6 through 80 circuits
- Insulator Material: P.B.T. UL 94V-0
- Mates with 2.54mm dual row and 0.64mm square or round pin header
- High quality dual beam phosphor bronze contacts
- Different foot length options are available
- Standoffs facilitate post soldering clean
- For other options consult the Sales Office

Dimensional Information



RECOMMENDED HOLE PATTERN



Ordering and Dimensional Information

Circuit Size	Part Number	Dimensions	
		A	B
06	5452-T06C	5,08(0,200)	8,12(0,320)
08	5452-T08 C	7,62(0,300)	10,66(0,420)
10	5452-T10C	10,16(0,400)	13,20(0,520)
12	5452-T12C	12,70(0,500)	15,74(0,620)
14	5452-T14C	15,24(0,600)	18,28(0,720)
16	5452-T16C	17,78(0,700)	20,82(0,820)
18	5452-T18C	20,32(0,800)	23,36(0,920)
20	5452-T20C	22,86(0,900)	25,90(1,020)
22	5452-T22C	25,40(1,000)	28,44(1,120)
24	5452-T24C	27,94(1,100)	30,98(1,220)
26	5452-T26C	30,48(1,200)	33,52(1,320)
28	5452-T28C	33,02(1,300)	36,06(1,420)
30	5452-T30C	35,56(1,400)	38,60(1,520)
32	5452-T32C	38,10(1,500)	41,14(1,620)
34	5452-T34C	40,64(1,600)	43,68(1,720)
36	5452-T36C	43,18(1,700)	46,22(1,820)
38	5452-T38C	45,72(1,800)	48,76(1,920)
40	5452-T40C	48,26(1,900)	51,30(2,020)
42	5452-T42C	50,80(2,000)	53,84(2,120)
44	5452-T44C	53,34(2,100)	56,38(2,220)
46	5452-T46C	55,88(2,200)	58,92(2,320)
48	5452-T48C	58,42(2,300)	61,46(2,420)
50	5452-T50C	60,96(2,400)	64,00(2,520)
52	5452-T52C	63,50(2,500)	66,54(2,620)
54	5452-T54C	66,04(2,600)	69,08(2,720)
56	5452-T56C	68,58(2,700)	71,62(2,820)
58	5452-T58C	71,12(2,800)	74,16(2,920)
60	5452-T60C	73,66(2,900)	76,70(3,020)
62	5452-T62C	76,20(3,000)	79,24(3,120)
64	5452-T64C	78,74(3,100)	81,78(3,220)
66	5452-T66C	81,28(3,200)	84,32(3,320)
68	5452-T68C	83,82(3,300)	86,86(3,420)
70	5452-T70C	86,36(3,400)	89,40(3,520)
72	5452-T72C	88,90(3,500)	91,94(3,620)
74	5452-T74C	91,44(3,600)	94,48(3,720)
76	5452-T76C	93,98(3,700)	97,02(3,820)
78	5452-T78C	96,52(3,800)	99,56(3,920)
80	5452-T80C	99,06(3,900)	102,10(4,020)

T = Contact Plating

- T = 2. Tin plated
- T = 3. Gold flash over 50µ" nickel
Recommended Finish
- T = 5. 15µ" gold over 50µ" nickel
- T = 6. 30µ" gold over 50µ" nickel

OPTIONS

- 5452 - 3240 is equivalent 5452 - 3248 without 1, 2, 23 and 24 pin
- 5452 - 320163 is equivalent 5452 - 3203 without 1, 2, 19 and 20 pin

Options C	Dimensions	
	D	E
1	11.05	2.30
2	11.05	7.35
3	13.59	4.85
4	16.13	2.30
5	11.05	12.20
6	13.59	9.65
7	16.13	7.10
8	18.67	4.60