

# SIDE ENTRY D/ ROW SMT FEMALE HEADER

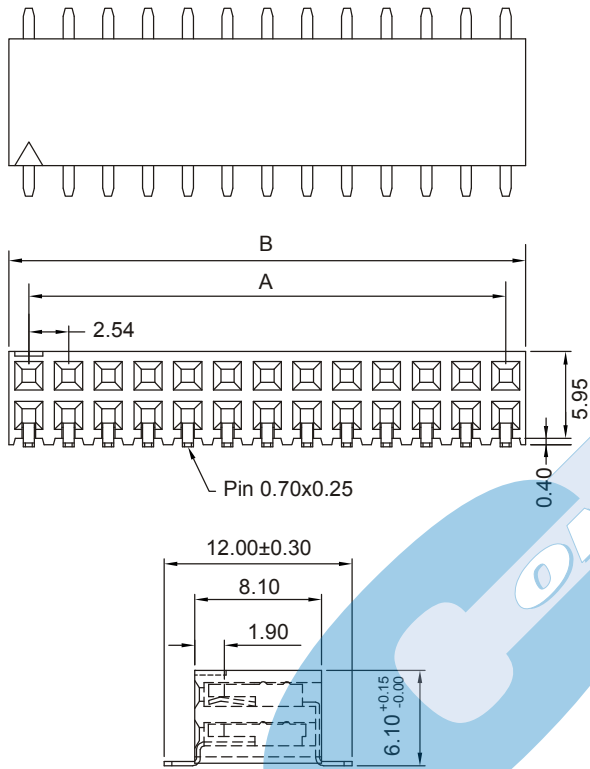


## 5425 SERIES. 2.54mm(0.100"). Female Header

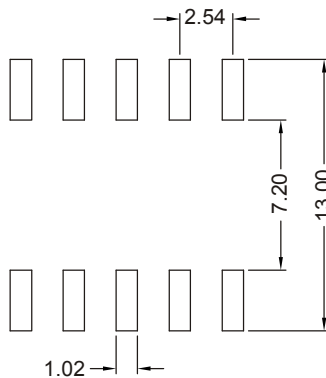
### Features

- Available in 08 through 80 circuits
- Insulator Material: Polyester UL 94V-0
- Mates with 2.54mm pitch and 0.64mm pin headers
- High quality dual beam phosphor bronze contacts
- Different plating options are available
- For other options consult the Sales Office

### Dimensional Information



### RECOMMENDED PCB LAYOUT



### Ordering and Dimensional Information

Circuit Size	Part Number	Dimensions	
		A	B
08	5425-T081E	7.62(0.300)	10.16(0.400)
10	5425-T101E	10.16(0.400)	12.70(0.500)
12	5425-T121E	12.70(0.500)	15.24(0.600)
14	5425-T141E	15.24(0.600)	17.78(0.700)
16	5425-T161E	17.78(0.700)	20.32(0.800)
18	5425-T181E	20.32(0.800)	22.86(0.900)
20	5425-T201E	22.86(0.900)	25.40(1.000)
22	5425-T221E	25.40(1.000)	27.94(1.100)
24	5425-T241E	27.94(1.100)	30.48(1.200)
26	5425-T261E	30.48(1.200)	33.02(1.300)
28	5425-T281E	33.02(1.300)	35.56(1.400)
30	5425-T301E	35.56(1.400)	38.10(1.500)
32	5425-T321E	38.10(1.500)	40.64(1.600)
34	5425-T341E	40.64(1.600)	43.18(1.700)
36	5425-T361E	43.18(1.700)	45.72(1.800)
38	5425-T381E	45.72(1.800)	48.26(1.900)
40	5425-T401E	48.26(1.900)	50.80(2.000)
42	5425-T421E	50.80(2.000)	53.34(2.100)
44	5425-T441E	53.34(2.100)	55.88(2.200)
46	5425-T461E	55.88(2.200)	58.42(2.300)
48	5425-T481E	58.42(2.300)	60.96(2.400)
50	5425-T501E	60.96(2.400)	63.50(2.500)
52	5425-T521E	63.50(2.500)	66.04(2.600)
54	5425-T541E	66.04(2.600)	68.58(2.700)
56	5425-T561E	68.58(2.700)	71.12(2.800)
58	5425-T581E	71.12(2.800)	73.66(2.900)
60	5425-T601E	73.66(2.900)	76.20(3.000)
62	5425-T621E	76.20(3.000)	78.74(3.100)
64	5425-T641E	78.74(3.100)	81.28(3.200)
66	5425-T661E	81.28(3.200)	83.82(3.300)
68	5425-T681E	83.82(3.300)	86.36(3.400)
70	5425-T701E	86.36(3.400)	88.90(3.500)
72	5425-T721E	88.90(3.500)	91.44(3.600)
74	5425-T741E	91.44(3.600)	93.98(3.700)
76	5425-T761E	93.98(3.700)	96.52(3.800)
78	5425-T781E	96.52(3.800)	99.06(3.900)
80	5425-T801E	99.06(3.900)	101.60(4.000)

### T = Contact Plating

- T = 2. Tin plated
- T = 3. Gold flash over 50µ" nickel
- T = 5. 15µ" gold over 50µ" nickel

Recommended Finish

- T = 6. 30µ" gold over 50µ" nickel

### E = Packing Options

- E = 2. Reel + Plastic Pad