

TRIPLE ROW STRAIGHT HEADER

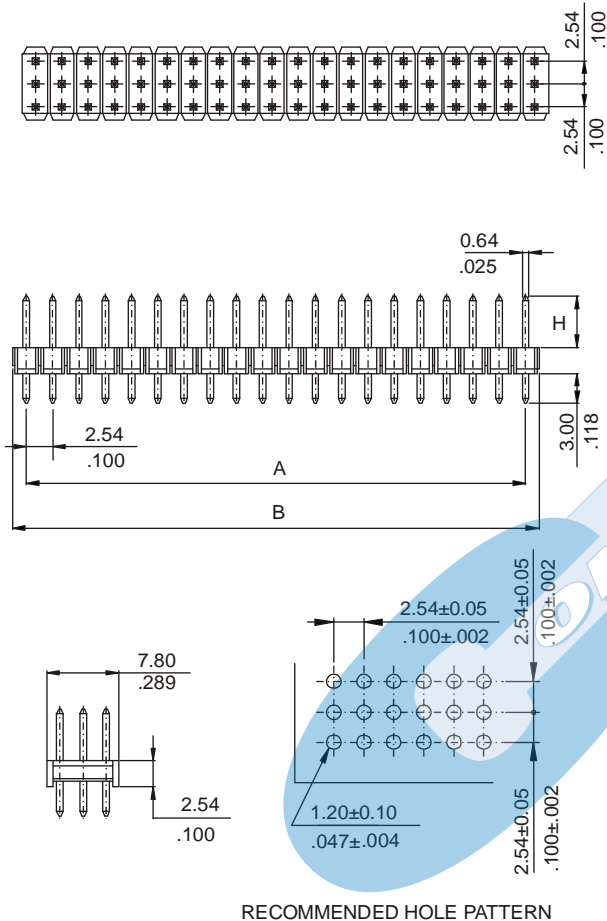


3558 SERIES. 2.54mm(0.100"). For PCB Solder

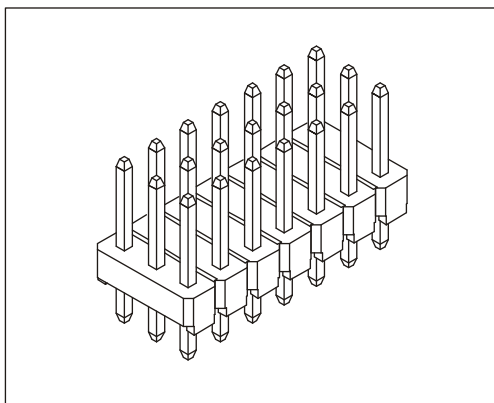
Features

- Available in 9 through 120 circuits
- Insulator Material: Glass filled polyester UL 94V-0
- Pin omit options are available in any circuit
- 0.64mm square pin in copper alloy
- Different pin length and plating options are available
- Stackable row by row and end to end
- Easy breakaway to desired circuit size
- For other options consult the Sales Office

Dimensional Information



RECOMMENDED HOLE PATTERN



Ordering and Dimensional Information

Circuit Size	Part Number	Dimensions	
		A	B
09	3558-T03C	5,08(0,200)	7,62(0,300)
12	3558-T04C	7,62(0,300)	10,16(0,400)
15	3558-T05C	10,16(0,400)	12,70(0,500)
18	3558-T06C	12,70(0,500)	15,24(0,600)
21	3558-T07C	15,24(0,600)	17,78(0,700)
24	3558-T08C	17,78(0,700)	20,32(0,800)
27	3558-T09C	20,32(0,800)	22,86(0,900)
30	3558-T10C	22,86(0,900)	25,40(1,000)
33	3558-T11C	25,40(1,000)	27,94(1,100)
36	3558-T12C	27,94(1,100)	30,48(1,200)
39	3558-T13C	30,48(1,200)	33,02(1,300)
42	3558-T14C	33,02(1,300)	35,56(1,400)
45	3558-T15C	35,56(1,400)	38,10(1,500)
48	3558-T16C	38,10(1,500)	40,64(1,600)
51	3558-T17C	40,64(1,600)	43,18(1,700)
54	3558-T18C	43,18(1,700)	45,72(1,800)
57	3558-T19C	45,72(1,800)	48,26(1,900)
60	3558-T20C	48,26(1,900)	50,80(2,000)
63	3558-T21C	50,80(2,000)	53,34(2,100)
66	3558-T22C	53,34(2,100)	55,88(2,200)
69	3558-T23C	55,88(2,200)	58,42(2,300)
72	3558-T24C	58,42(2,300)	60,96(2,400)
75	3558-T25C	60,96(2,400)	63,50(2,500)
78	3558-T26C	63,50(2,500)	66,04(2,600)
81	3558-T27C	66,04(2,600)	68,58(2,700)
84	3558-T28C	68,58(2,700)	71,12(2,800)
87	3558-T29C	71,12(2,800)	73,66(2,900)
90	3558-T30C	73,66(2,900)	76,20(3,000)
93	3558-T31C	76,20(3,000)	78,74(3,100)
96	3558-T32C	78,74(3,100)	81,28(3,200)
99	3558-T33C	81,28(3,200)	83,82(3,300)
102	3558-T34C	83,82(3,300)	86,36(3,400)
105	3558-T35C	86,36(3,400)	88,90(3,500)
108	3558-T36C	88,90(3,500)	91,44(3,600)
111	3558-T37C	91,44(3,600)	93,98(3,700)
114	3558-T38C	93,98(3,700)	96,52(3,800)
117	3558-T39C	96,52(3,800)	99,06(3,900)
120	3558-T40C	99,06(3,900)	101,60(4,000)

T = Contact Plating

- T = 2. Tin plated
 - T = 3. Gold flash over 50µ" nickel
- Recommended Finish
- T = 5. 15µ" gold over 50µ" nickel
 - T = 6. 30µ" gold over 50µ" nickel

C = Pin Length

- C = 1. Dim. H = 5.86mm
- C = 2. Dim. H = 7.62mm
- C = 3. Dim. H = 6.26mm
- C = 4. Dim. H = 7.26mm
- C = 5. Dim. H = 8.86mm