

S/ ROW PCB SOCKET STAGGERED PCB TAILS

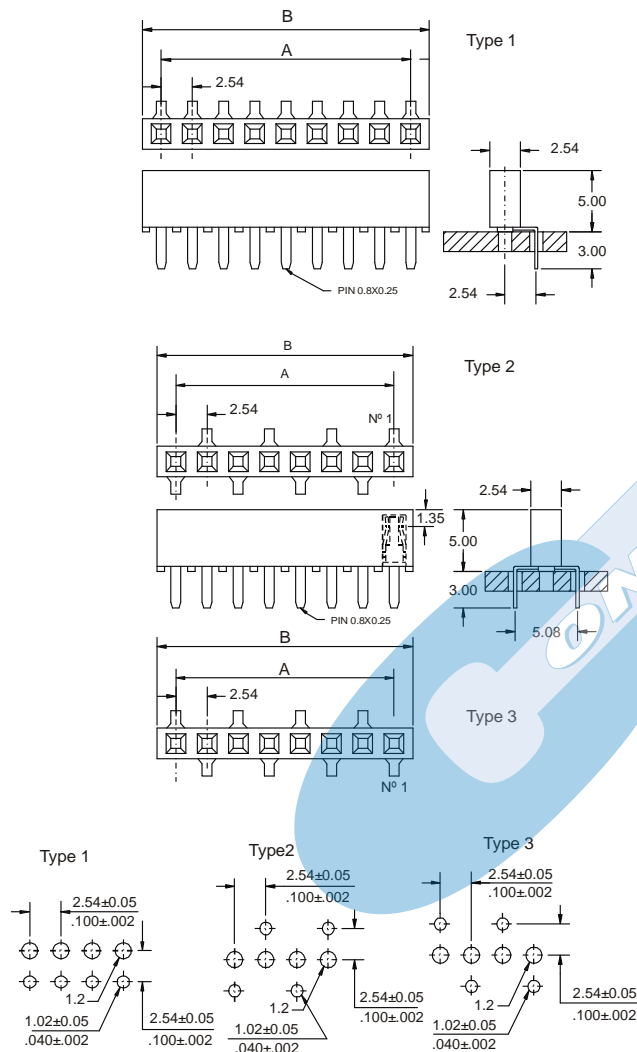


2553 SERIES. 2.54mm(0.100"). For PCB Solder

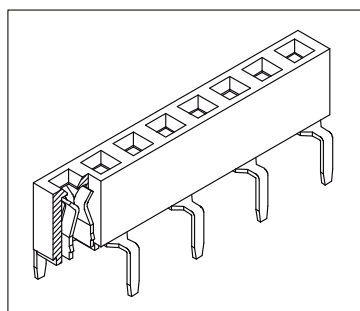
Features

- Available in 3 through 40 circuits
- Insulator Material: P.B.T. UL 94V-0
- Contact Material: Phosphor Bronze
- Designed for parallel and vertical board stacking
- Low profile 5mm height
- Mates with 2.54mm grid single row male header
- Standoffs facilitate post soldering clean
- Dual beam folder contacts

Dimensional Information



RECOMMENDED HOLE PATTERN



Ordering and Dimensional Information

Circuit Size	Part Number	Dimensions	
		A	B
03	2553-T03C	5,08(0,200)	8,12(0,320)
04	2553-T04C	7,62(0,300)	10,66(0,420)
05	2553-T05C	10,16(0,400)	13,20(0,520)
06	2553-T06C	12,70(0,500)	15,74(0,620)
07	2553-T07C	15,24(0,600)	18,28(0,720)
08	2553-T08C	17,78(0,700)	20,82(0,820)
09	2553-T09C	20,32(0,800)	23,36(0,920)
10	2553-T10C	22,86(0,900)	25,90(1,020)
11	2553-T11C	25,40(1,000)	28,44(1,120)
12	2553-T12C	27,94(1,100)	30,98(1,220)
13	2553-T13C	30,48(1,200)	33,52(1,320)
14	2553-T14C	33,02(1,300)	36,06(1,420)
15	2553-T15C	35,56(1,400)	38,60(1,520)
16	2553-T16C	38,10(1,500)	41,14(1,620)
17	2553-T17C	40,64(1,600)	43,68(1,720)
18	2553-T18C	43,18(1,700)	46,22(1,820)
19	2553-T19C	45,72(1,800)	48,76(1,920)
20	2553-T20C	48,26(1,900)	51,30(2,020)
21	2553-T21C	50,80(2,000)	53,84(2,120)
22	2553-T22C	53,34(2,100)	56,38(2,220)
23	2553-T23C	55,88(2,200)	58,92(2,320)
24	2553-T24C	58,42(2,300)	61,46(2,420)
25	2553-T25C	60,96(2,400)	64,00(2,520)
26	2553-T26C	63,50(2,500)	66,54(2,620)
27	2553-T27C	66,04(2,600)	69,08(2,720)
28	2553-T28C	68,58(2,700)	71,62(2,820)
29	2553-T29C	71,12(2,800)	74,16(2,920)
30	2553-T30C	73,66(2,900)	76,70(3,020)
31	2553-T31C	76,20(3,000)	79,24(3,120)
32	2553-T32C	78,74(3,100)	81,78(3,220)
33	2553-T33C	81,28(3,200)	84,32(3,320)
34	2553-T34C	83,82(3,300)	86,86(3,420)
35	2553-T35C	86,36(3,400)	89,40(3,520)
36	2553-T36C	88,90(3,500)	91,94(3,620)
37	2553-T37C	91,44(3,600)	94,48(3,720)
38	2553-T38C	93,98(3,700)	97,02(3,820)
39	2553-T39C	96,52(3,800)	99,56(3,920)
40	2553-T40C	99,06(3,900)	102,10(4,020)

T = Contact Plating

- T = 2. Tin plated
- T = 3. Gold flash over 50µ" nickel
Recommended Finish
- T = 5. 15µ" gold over 50µ" nickel
- T = 6. 30µ" gold over 50µ" nickel
- T = 13. Selective gold flash over 50µ" nickel
- T = 15. 15µ" selective gold over 50µ" nickel
- T = 16. 30µ" selective gold over 50µ" nickel

C = Connector Type

- C = 1. Type 1
- C = 2. Type 2
- C = 3. Type 3