

# SIDE ENTRY SINGLE ROW PCB SOCKET

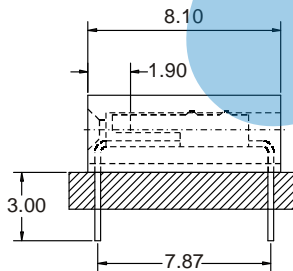
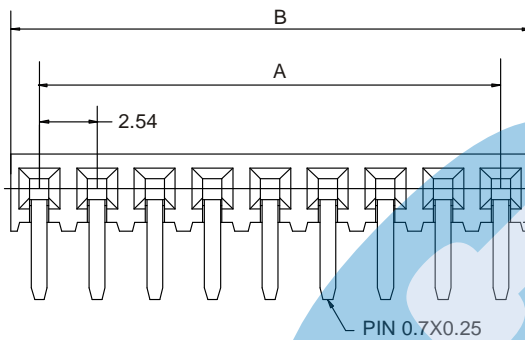
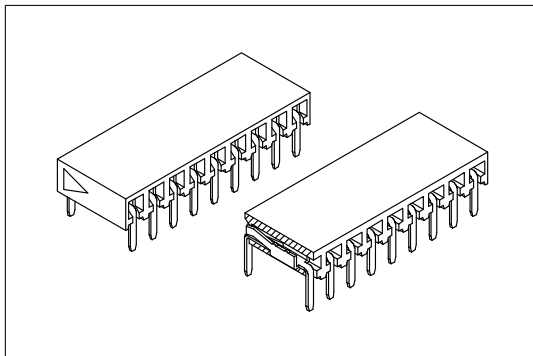


## 2552 SERIES. 2.54mm(0.100"). For PCB Solder

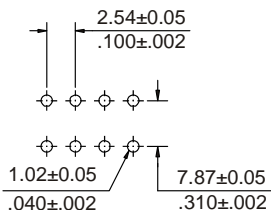
### Features

- Available in 2 through 40 circuits
- Insulator Material: P.B.T. UL 94V-0
- Mates with 2.54mm pitch and 0.64mm pin headers
- Low profile and high density PCB socket
- Height: 3.40mm
- Designed for Right-Angle P.C. Board mounting
- High quality dual beam phosphor bronze contacts
- Pin Stop to prevent shorting circuits between rows

### Dimensional Information



### RECOMMENDED HOLE PATTERN



### Ordering and Dimensional Information

Circuit Size	Part Number	Dimensions	
		A	B
02	<b>2552-T021</b>	2.54(0.100)	5.08(0.200)
03	<b>2552-T031</b>	5.08(0.200)	7.62(0.300)
04	<b>2552-T041</b>	7.62(0.300)	10.16(0.400)
05	<b>2552-T051</b>	10.16(0.400)	12.70(0.500)
06	<b>2552-T061</b>	12.70(0.500)	15.24(0.600)
07	<b>2552-T071</b>	15.24(0.600)	17.78(0.700)
08	<b>2552-T081</b>	17.78(0.700)	20.32(0.800)
09	<b>2552-T091</b>	20.32(0.800)	22.86(0.900)
10	<b>2552-T101</b>	22.86(0.900)	25.40(1.000)
11	<b>2552-T111</b>	25.40(1.000)	27.94(1.100)
12	<b>2552-T121</b>	27.94(1.100)	30.48(1.200)
13	<b>2552-T131</b>	30.48(1.200)	33.02(1.300)
14	<b>2552-T141</b>	33.02(1.300)	35.56(1.400)
15	<b>2552-T151</b>	35.56(1.400)	38.10(1.500)
16	<b>2552-T161</b>	38.10(1.500)	40.64(1.600)
17	<b>2552-T171</b>	40.64(1.600)	43.18(1.700)
18	<b>2552-T181</b>	43.18(1.700)	45.72(1.800)
19	<b>2552-T191</b>	45.72(1.800)	48.26(1.900)
20	<b>2552-T201</b>	48.26(1.900)	50.80(2.000)
21	<b>2552-T211</b>	50.80(2.000)	53.34(2.100)
22	<b>2552-T221</b>	53.34(2.100)	55.88(2.200)
23	<b>2552-T231</b>	55.88(2.200)	58.42(2.300)
24	<b>2552-T241</b>	58.42(2.300)	60.96(2.400)
25	<b>2552-T251</b>	60.96(2.400)	63.50(2.500)
26	<b>2552-T261</b>	63.50(2.500)	66.04(2.600)
27	<b>2552-T271</b>	66.04(2.600)	68.58(2.700)
28	<b>2552-T281</b>	68.58(2.700)	71.12(2.800)
29	<b>2552-T291</b>	71.12(2.800)	73.66(2.900)
30	<b>2552-T301</b>	73.66(2.900)	76.20(3.000)
31	<b>2552-T311</b>	76.20(3.000)	78.74(3.100)
32	<b>2552-T321</b>	78.74(3.100)	81.28(3.200)
33	<b>2552-T331</b>	81.28(3.200)	83.82(3.300)
34	<b>2552-T341</b>	83.82(3.300)	86.36(3.400)
35	<b>2552-T351</b>	86.36(3.400)	88.90(3.500)
36	<b>2552-T361</b>	88.90(3.500)	91.44(3.600)
37	<b>2552-T371</b>	91.44(3.600)	93.98(3.700)
38	<b>2552-T381</b>	93.98(3.700)	96.52(3.800)
39	<b>2552-T391</b>	96.52(3.800)	99.06(3.900)
40	<b>2552-T401</b>	99.06(3.900)	101.60(4.000)

### T = Contact Plating

- T = 2. Tin plated
- T = 3. Gold flash over 50µ" nickel  
Recommended Finish
- T = 5. 15µ" gold over 50µ" nickel
- T = 6. 30µ" gold over 50µ" nickel