

STRAIGHT SINGLE ROW PCB SOCKET

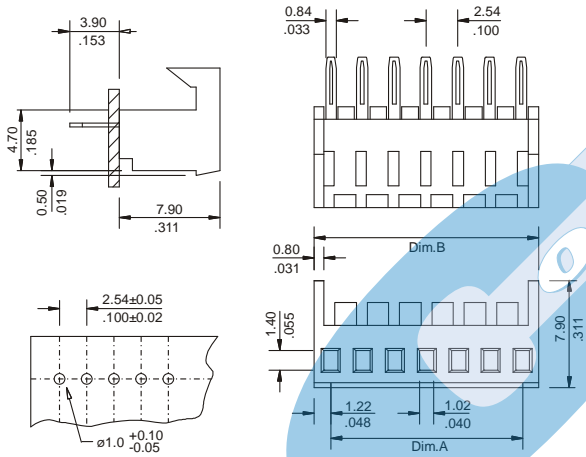


2525 SERIES. 2.54mm(0.100"). For PCB Solder

Features

- Available in 2 through 20 circuits
- Mates with 2.54mm single row headers
- Insulation Material: Nylon 6/6 UL 94V-0
- Contact material: Tin plated solder tail terminal
- Accepts 0.64mm(0.025") square pin
- With P.C. Board standoff

Dimensional Information



Ordering and Dimensional Information

Circuit Size	Part Number	Dimensions	
		A	B
02	2525-2021	2,54(0,100)	5,10 (0.201)
03	2525-2031	5,08(0,200)	7,60 (0.299)
04	2525-2041	7,62(0,300)	10,20 (0.402)
05	2525-2051	10,16(0,400)	12,70 (0.500)
06	2525-2061	12,70(0,500)	15,20 (0.598)
07	2525-2071	15,24(0,600)	17,80 (0.701)
08	2525-2081	17,78(0,700)	20,30 (0.799)
09	2525-2091	20,32(0,800)	22,90 (0.902)
10	2525-2101	22,86(0,900)	25,40 (1.000)
11	2525-2111	25,40(1,000)	27,90 (1.098)
12	2525-2121	27,94(1,100)	30,50 (1.201)
13	2525-2131	30,48(1,200)	33,00 (1.299)
14	2525-2141	33,02(1,300)	35,60 (1.402)
15	2525-2151	35,56(1,400)	38,10 (1.500)
16	2525-2161	38,10(1,500)	40,60 (1.598)
17	2525-2171	40,64(1,600)	43,20 (1.701)
18	2525-2181	43,18(1,700)	45,70 (1.799)
19	2525-2191	45,72(1,800)	48,30 (1.902)
20	2525-2201	48,26(1,900)	50,80 (2.000)