

6.60 mm FEMALE STRAIGHT HEADER

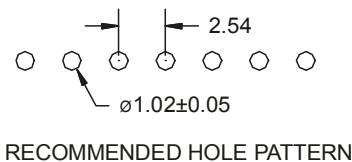
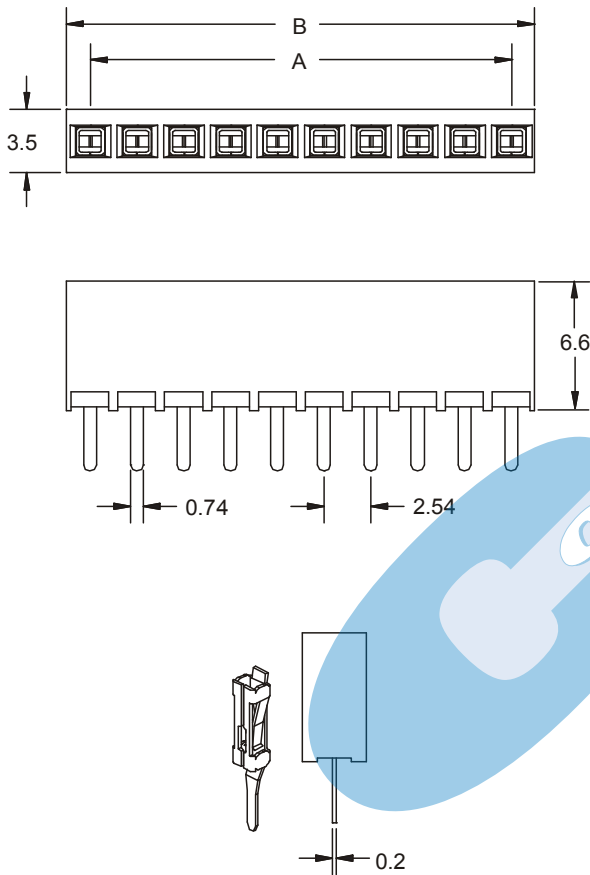


2247 SERIES. 2.54 mm. (0.100"). For PCB solder

Features

- Available in 2 through 40 circuits
- Mates with dual row 2.54 mm
- Material : Polyester UL 94V-0
- Gold or phosphor bronze terminal with different plating
- Length over PCB 6.60 mm.
- 0.64 mm square pin
- High quality dual beam phosphor bronze contacts

Dimensional information



Ordering and Dimensional information

Circuit Size	Part Number	Dimensions	
		A	B
02	2247-T021	2,54(0,100)	5,08(0,200)
03	2247-T031	5,08(0,200)	7,62(0,300)
04	2247-T041	7,62(0,300)	10,16(0,400)
05	2247-T051	10,16(0,400)	12,70(0,500)
06	2247-T061	12,70(0,500)	15,24(0,600)
07	2247-T071	15,24(0,600)	17,78(0,700)
08	2247-T081	17,78(0,700)	20,32(0,800)
09	2247-T091	20,32(0,800)	22,86(0,900)
10	2247-T101	22,86(0,900)	25,40(1,000)
11	2247-T111	25,40(1,000)	27,94(1,100)
12	2247-T121	27,94(1,100)	30,48(1,200)
13	2247-T131	30,48(1,200)	33,02(1,300)
14	2247-T141	33,02(1,300)	35,56(1,400)
15	2247-T151	35,56(1,400)	38,10(1,500)
16	2247-T161	38,10(1,500)	40,64(1,600)
17	2247-T171	40,64(1,600)	43,18(1,700)
18	2247-T181	43,18(1,700)	45,72(1,800)
19	2247-T191	45,72(1,800)	48,26(1,900)
20	2247-T201	48,26(1,900)	50,80(2,000)
21	2247-T211	50,80(2,000)	53,34(2,100)
22	2247-T221	53,34(2,100)	55,88(2,200)
23	2247-T231	55,88(2,200)	58,42(2,300)
24	2247-T241	58,42(2,300)	60,96(2,400)
25	2247-T251	60,96(2,400)	63,50(2,500)
26	2247-T261	63,50(2,500)	66,04(2,600)
27	2247-T271	66,04(2,600)	68,58(2,700)
28	2247-T281	68,58(2,700)	71,12(2,800)
29	2247-T291	71,12(2,800)	73,66(2,900)
30	2247-T301	73,66(2,900)	76,20(3,000)
31	2247-T311	76,20(3,000)	78,74(3,100)
32	2247-T321	78,74(3,100)	81,28(3,200)
33	2247-T331	81,28(3,200)	83,82(3,300)
34	2247-T341	83,82(3,300)	86,36(3,400)
35	2247-T351	86,36(3,400)	88,90(3,500)
36	2247-T361	88,90(3,500)	91,44(3,600)
37	2247-T371	91,44(3,600)	93,98(3,700)
38	2247-T381	93,98(3,700)	96,52(3,800)
39	2247-T391	96,52(3,800)	99,06(3,900)
40	2247-T401	99,06(3,900)	101,60(4,000)

T = Contact Plating

- T = 2. Tin-plated.
- T = 3. Gold flash over 1.27 μ Ni.
- T = 5. 0.38 μ Gold over 1.27 μ Ni.
- T = 6. 0.75 μ Gold over 1.27 μ Ni.

RECOMMENDED FINISH