

SINGLE ROW STRAIGHT PCB SOCKET SMT

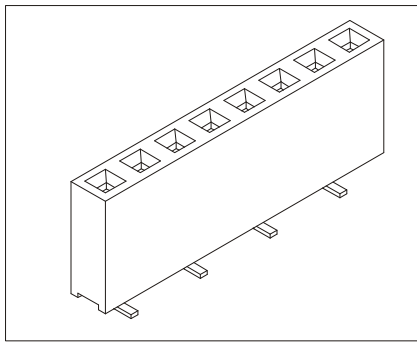


2102 SERIES. 2.54mm(0.100"). For PCB Solder

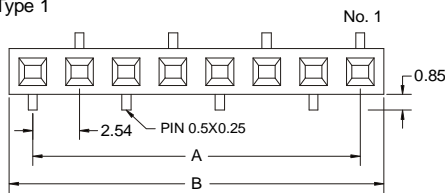
Features

- Available in 3 through 40 circuits
- Insulator Material: Nylon 6-T UL 94V-0
- Mates with 2.54mm pitch and 0.64mm pin headers
- Low profile and high density PCB socket
- Height: 7.40mm
- Different plating options are available
- High quality dual beam phosphor bronze contacts
- Designed for board to board small spacing interconnection

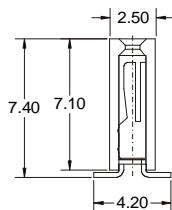
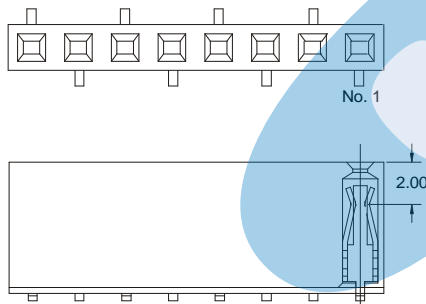
Dimensional Information



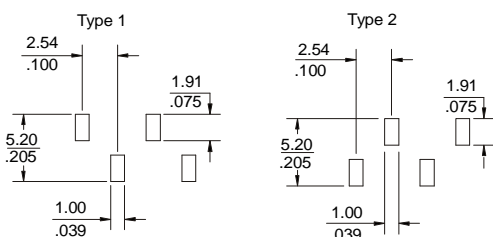
Type 1



Type 2



RECOMMENDED PCB LAYOUT



Ordering and Dimensional Information

Circuit Size	Part Number		Dimensions	
	Type 1	Type 2	A	B
03	2102-T031E	2102-T032E	5,08(0,200)	7,62(0,300)
04	2102-T041E	2102-T042E	7,62(0,300)	10,16(0,400)
05	2102-T051E	2102-T052E	10,16(0,400)	12,70(0,500)
06	2102-T061E	2102-T062E	12,70(0,500)	15,24(0,600)
07	2102-T071E	2102-T072E	15,24(0,600)	17,78(0,700)
08	2102-T081E	2102-T082E	17,78(0,700)	20,32(0,800)
09	2102-T091E	2102-T092E	20,32(0,800)	22,86(0,900)
10	2102-T101E	2102-T102E	22,86(0,900)	25,40(1,000)
11	2102-T111E	2102-T112E	25,40(1,000)	27,94(1,100)
12	2102-T121E	2102-T122E	27,94(1,100)	30,48(1,200)
13	2102-T131E	2102-T132E	30,48(1,200)	33,02(1,300)
14	2102-T141E	2102-T142E	33,02(1,300)	35,56(1,400)
15	2102-T151E	2102-T152E	35,56(1,400)	38,10(1,500)
16	2102-T161E	2102-T162E	38,10(1,500)	40,64(1,600)
17	2102-T171E	2102-T172E	40,64(1,600)	43,18(1,700)
18	2102-T181E	2102-T182E	43,18(1,700)	45,72(1,800)
19	2102-T191E	2102-T192E	45,72(1,800)	48,26(1,900)
20	2102-T201E	2102-T202E	48,26(1,900)	50,80(2,000)
21	2102-T211E	2102-T212E	50,80(2,000)	53,34(2,100)
22	2102-T221E	2102-T222E	53,34(2,100)	55,88(2,200)
23	2102-T231E	2102-T232E	55,88(2,200)	58,42(2,300)
24	2102-T241E	2102-T242E	58,42(2,300)	60,96(2,400)
25	2102-T251E	2102-T252E	60,96(2,400)	63,50(2,500)
26	2102-T261E	2102-T262E	63,50(2,500)	66,04(2,600)
27	2102-T271E	2102-T272E	66,04(2,600)	68,58(2,700)
28	2102-T281E	2102-T282E	68,58(2,700)	71,12(2,800)
29	2102-T291E	2102-T292E	71,12(2,800)	73,66(2,900)
30	2102-T301E	2102-T302E	73,66(2,900)	76,20(3,000)
31	2102-T311E	2102-T312E	76,20(3,000)	78,74(3,100)
32	2102-T321E	2102-T322E	78,74(3,100)	81,28(3,200)
33	2102-T331E	2102-T332E	81,28(3,200)	83,82(3,300)
34	2102-T341E	2102-T342E	83,82(3,300)	86,36(3,400)
35	2102-T351E	2102-T352E	86,36(3,400)	88,90(3,500)
36	2102-T361E	2102-T362E	88,90(3,500)	91,44(3,600)
37	2102-T371E	2102-T372E	91,44(3,600)	93,98(3,700)
38	2102-T381E	2102-T382E	93,98(3,700)	96,52(3,800)
39	2102-T391E	2102-T392E	96,52(3,800)	99,06(3,900)
40	2102-T401E	2102-T402E	99,06(3,900)	101,60(4,100)

T = Contact Plating

- T = 2. Tin plated
- T = 3. Gold flash over 50µ" nickel
Recommended Finish
- T = 5. 15µ" gold over 50µ" nickel
- T = 6. 30µ" gold over 50µ" nickel

E = Packing Options

- E = 1. Tube + Plastic Pad
- E = 2. Reel + Plastic Pad
- E = 5. Tube + Metallic Pad
- E = 6. Reel + Metallic Pad