

SINGLE ROW POLARISING R/ ANGLE HEADER

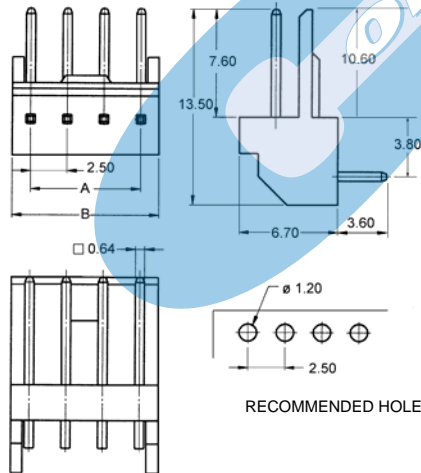


2612 SERIES. 2.50mm(0.098"). For PCB Solder

Features

- Available in 2 through 12 circuits
- Mates with 2610 Series
- Insulator: Nylon 6/6 UL 94V-0
- 0.64mm(0.025") square pin in brass tinned
- Recommended hole for PCB: 1.20mm diameter
- With polarisation and locking ramp
- Colour: Natural

Dimensional Information



RECOMMENDED HOLE PATTERN

Ordering and Dimensional Information

Circuit Size	Part Number	Dimensions	
		A	B
02	2612 - 2021	2,50(0,098)	5,00(0,197)
03	2612 - 2031	5,00(0,197)	7,50(0,295)
04	2612 - 2041	7,50(0,295)	10,00(0,394)
05	2612 - 2051	10,00(0,394)	12,50(0,492)
06	2612 - 2061	12,50(0,492)	15,00(0,591)
07	2612 - 2071	15,00(0,591)	17,50(0,689)
08	2612 - 2081	17,50(0,689)	20,00(0,787)
09	2612 - 2091	20,00(0,787)	22,50(0,886)
10	2612 - 2101	22,50(0,886)	25,00(0,984)
11	2612 - 2111	25,00(0,984)	27,50(1,083)
12	2612 - 2121	27,50(1,083)	30,00(1,181)