

# SINGLE ROW SHROUDED STRAIGHT HEADER



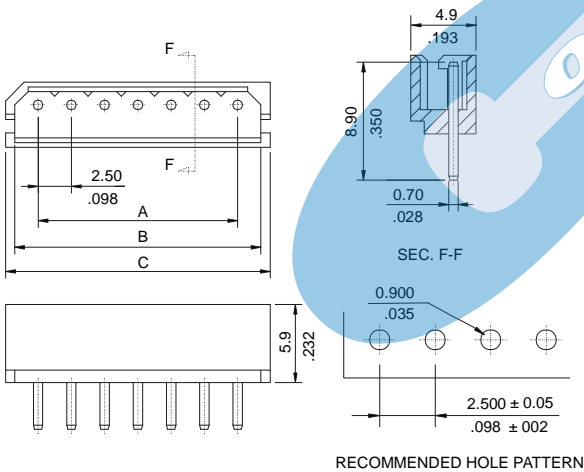
## 2536 SERIES. 2.50mm(0.098"). For PCB Solder

### Features

- Available in 2 through 15 circuits
- Mates with 2535 series socket
- Contact: Brass
- Insulator Material: Nylon 6/6 UL 94V-0
- 0.70mm(0.028") round pin
- Plating: Tin plated
- Friction lock
- Low profile

### Dimensional Information

### Ordering and Dimensional Information



Circuit Size	Part Number	Dimensions		
		A	B	C
02	<b>2536-2022</b>	2,50(0,098)	6,00(0,236)	7,50 (0,295)
03	<b>2536-2032</b>	5,00(0,197)	8,50(0,335)	10,00 (0,394)
04	<b>2536-2042</b>	7,50(0,295)	11,00(0,433)	12,50 (0,492)
05	<b>2536-2052</b>	10,00(0,394)	13,50(0,531)	15,00 (0,591)
06	<b>2536-2062</b>	12,50(0,492)	16,00(0,630)	17,50 (0,689)
07	<b>2536-2072</b>	15,00(0,591)	18,50(0,728)	20,00 (0,787)
08	<b>2536-2082</b>	17,50(0,689)	21,00(0,827)	22,50 (0,886)
09	<b>2536-2092</b>	20,00(0,787)	23,50(0,925)	25,00 (0,984)
10	<b>2536-2102</b>	22,50(0,886)	26,00(1,024)	27,60 (1,087)
11	<b>2536-2112</b>	25,00(0,984)	28,50(1,122)	30,10 (1,185)
12	<b>2536-2122</b>	27,50(1,083)	31,00(1,220)	32,60 (1,283)
13	<b>2536-2132</b>	30,00(1,181)	33,50(1,319)	35,10 (1,382)
14	<b>2536-2142</b>	32,50(1,280)	36,00(1,417)	37,60 (1,480)
15	<b>2536-2152</b>	35,00(1,378)	38,50(1,516)	40,10 (1,579)