

# 2.00mm DUAL ROW PCB SOCKET

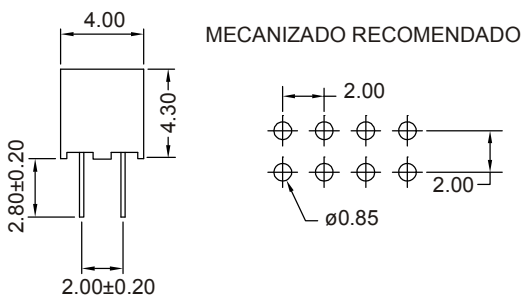
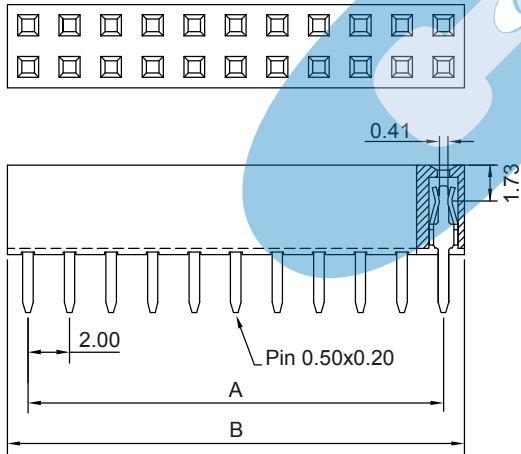
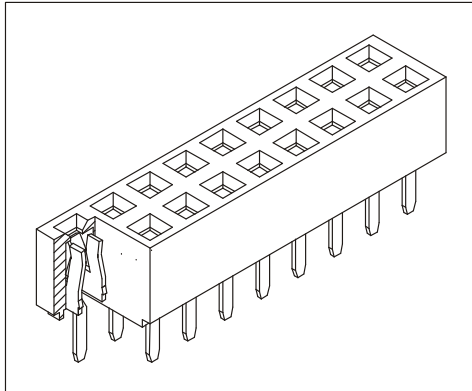


## 2042 SERIES 2.00mm(0.079"). For PCB Solder

### Features

- Available in 6 through 80 circuits
- Insulator Material: Polyester, UL 94V-0, Nylon 6-T
- Mates with 2.00mm pitch and 0.50mm pin headers
- Low profile and high density PCB socket
- Height: 4.30mm
- Different plating options are available
- High quality triple beam phosphor bronze contacts
- Designed for board to board small spacing interconnection

### Dimensional Information



### Ordering and Dimensional Information

Circuit size	Part Number	Dimensions	
		A	B
06	2042 - T061	4,00(0,157)	6,50(0,256)
08	2042 - T081	6,00(0,236)	8,50(0,335)
10	2042 - T101	8,00(0,315)	10,50(0,413)
12	2042 - T121	10,00(0,394)	12,50(0,492)
14	2042 - T141	12,00(0,472)	14,50(0,571)
16	2042 - T161	14,00(0,551)	16,50(0,650)
18	2042 - T181	16,00(0,630)	18,50(0,728)
20	2042 - T201	18,00(0,709)	20,50(0,807)
22	2042 - T221	20,00(0,787)	22,50(0,886)
24	2042 - T241	22,00(0,866)	24,50(0,965)
26	2042 - T261	24,00(0,945)	26,50(1,043)
28	2042 - T281	26,00(1,024)	28,50(1,122)
30	2042 - T301	28,00(1,102)	30,50(1,201)
32	2042 - T321	30,00(1,181)	32,50(1,280)
34	2042 - T341	32,00(1,260)	34,50(1,358)
36	2042 - T361	34,00(1,339)	36,50(1,437)
38	2042 - T381	36,00(1,417)	38,50(1,516)
40	2042 - T401	38,00(1,496)	40,50(1,594)
42	2042 - T421	40,00(1,575)	42,50(1,673)
44	2042 - T441	42,00(1,654)	44,50(1,752)
46	2042 - T461	44,00(1,732)	46,50(1,831)
48	2042 - T481	46,00(1,811)	48,50(1,909)
50	2042 - T501	48,00(1,890)	50,50(1,988)
52	2042 - T521	50,00(1,969)	52,50(2,067)
54	2042 - T541	52,00(2,047)	54,50(2,146)
56	2042 - T561	54,00(2,126)	56,50(2,224)
58	2042 - T581	56,00(2,205)	58,50(2,303)
60	2042 - T601	58,00(2,283)	60,50(2,382)
62	2042 - T621	60,00(2,362)	62,50(2,461)
64	2042 - T641	62,00(2,441)	64,50(2,539)
66	2042 - T661	64,00(2,520)	66,50(2,618)
68	2042 - T681	66,00(2,598)	68,50(2,697)
70	2042 - T701	68,00(2,677)	70,50(2,776)
72	2042 - T721	70,00(2,756)	72,50(2,854)
74	2042 - T741	72,00(2,835)	74,50(2,933)
76	2042 - T761	74,00(2,913)	76,50(3,012)
78	2042 - T781	76,00(2,992)	78,50(3,091)
80	2042 - T801	78,00(3,071)	80,50(3,169)

### T = Contact Plating

- T = 2. Tin plated
- T = 3. Gold flash over 50µ" nickel  
Recommended Finish
- T = 5. 15µ" gold over 50µ" nickel
- T = 6. 30µ" gold over 50µ" nickel
- T = 13. Selective gold flash over 50µ" nickel
- T = 15. 15µ" selective gold over 50µ" nickel
- T = 16. 30µ" selective gold over 50µ" nickel