

# 2.00mm SINGLE ROW PCB SOCKET

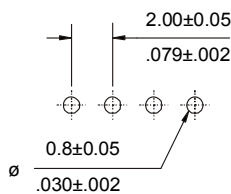
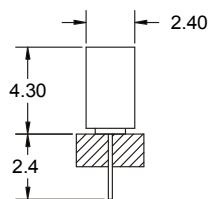
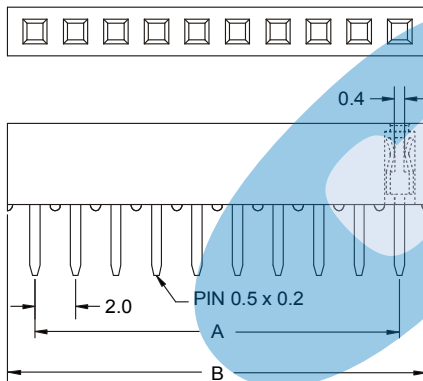
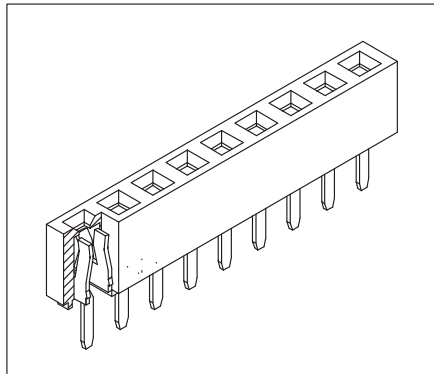


## 2041 SERIES. 2.00mm(0.079"). For PCB Solder

### Features

- Available in 2 through 40 circuits
- Material: Polyester UL 94V-0, Nylon 6-T
- Mates with 2.00mm pitch and 0.50mm pin headers
- Low profile and high density PCB socket
- Height: 4.30mm
- High quality dual beam phosphor bronze contacts
- Designed for board to board small spacing interconnection
- Standoffs facilitate post soldering clean

### Dimensional Information



RECOMMENDED HOLE PATTERN

### Ordering and Dimensional Information

Circuit Size	Part Number	Dimensions	
		A	B
02	2041-T021	2,00(0,079)	4,50(0,177)
03	2041-T031	4,00(0,157)	6,50(0,256)
04	2041-T041	6,00(0,236)	8,50(0,335)
05	2041-T051	8,00(0,315)	10,50(0,413)
06	2041-T061	10,00(0,394)	12,50(0,492)
07	2041-T071	12,00(0,472)	14,50(0,571)
08	2041-T081	14,00(0,551)	16,50(0,650)
09	2041-T091	16,00(0,630)	18,50(0,728)
10	2041-T101	18,00(0,709)	20,50(0,807)
11	2041-T111	20,00(0,787)	22,50(0,886)
12	2041-T121	22,00(0,866)	24,50(0,965)
13	2041-T131	24,00(0,945)	26,50(1,043)
14	2041-T141	26,00(1,024)	28,50(1,122)
15	2041-T151	28,00(1,102)	30,50(1,201)
16	2041-T161	30,00(1,181)	32,50(1,280)
17	2041-T171	32,00(1,260)	34,50(1,358)
18	2041-T181	34,00(1,339)	36,50(1,437)
19	2041-T191	36,00(1,417)	38,50(1,516)
20	2041-T201	38,00(1,496)	40,50(1,594)
21	2041-T211	40,00(1,575)	42,50(1,673)
22	2041-T221	42,00(1,654)	44,50(1,752)
23	2041-T231	44,00(1,732)	46,50(1,831)
24	2041-T241	46,00(1,811)	48,50(1,909)
25	2041-T251	48,00(1,890)	50,50(1,988)
26	2041-T261	50,00(1,969)	52,50(2,067)
27	2041-T271	52,00(2,047)	54,50(2,146)
28	2041-T281	54,00(2,126)	56,50(2,224)
29	2041-T291	56,00(2,205)	58,50(2,303)
30	2041-T301	58,00(2,283)	60,50(2,382)
31	2041-T311	60,00(2,362)	62,50(2,461)
32	2041-T321	62,00(2,441)	64,50(2,539)
33	2041-T331	64,00(2,520)	66,50(2,618)
34	2041-T341	66,00(2,598)	68,50(2,697)
35	2041-T351	68,00(2,677)	70,50(2,776)
36	2041-T361	70,00(2,756)	72,50(2,854)
37	2041-T371	72,00(2,835)	74,50(2,933)
38	2041-T381	74,00(2,913)	76,50(3,012)
39	2041-T391	76,00(2,992)	78,50(3,091)
40	2041-T401	78,00(3,071)	80,50(3,169)

### T = Contact Plating

- T = 2. Tin plated
- T = 3. Gold flash over 50µ" nickel  
Recommended Finish
- T = 5. 15µ" gold over 50µ" nickel
- T = 6. 30µ" gold over 50µ" nickel
- T = 13. Selective gold flash over 50µ" nickel
- T = 15. 15µ" selective gold over 50µ" nickel
- T = 16. 30µ" selective gold over 50µ" nickel