

DUAL ROW CRIMP TYPE SOCKET



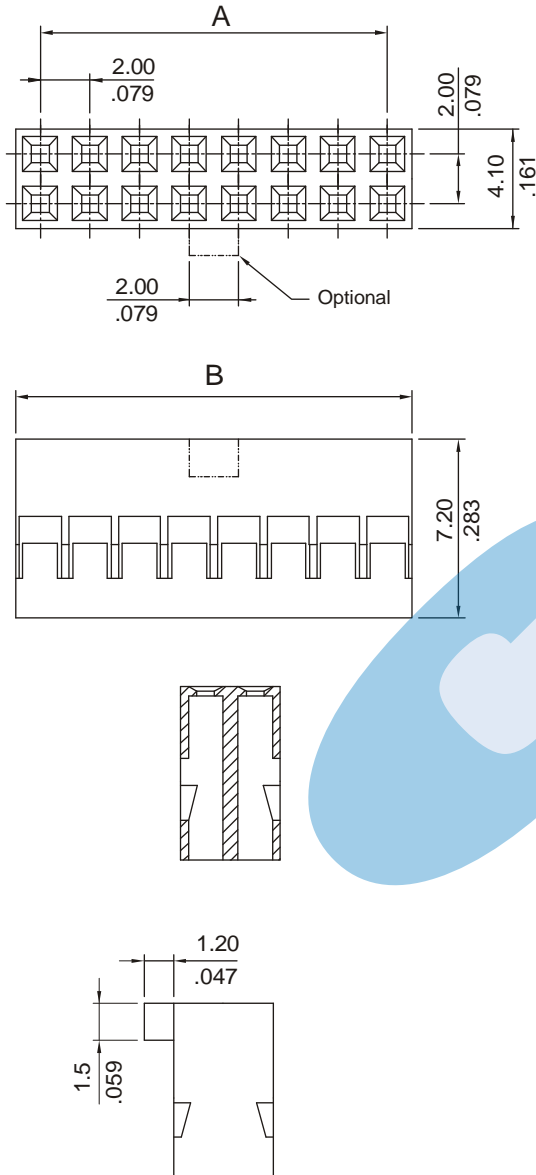
2022 SERIES. 2.00mm(0.079"). Dual Row Socket

Features

- Available in 4 through 50 circuits
- Material: Nylon UL 94V-0
- Accepts 2023 crimp terminal
- Mates with 2.00mm(.079") dual row headers
- Low profile
- Optional: Polarising key 2022 series

Dimensional Information

Ordering and Dimensional Information



Circuit Size	Part Number		Dimensions	
	With Polarising	W/O Polarising	A	B
04	2022 - 2042	2022 - 3042	2.00(0.079)	4.30(0.169)
06	2022 - 2062	2022 - 3062	4.00(0.157)	6.30(0.248)
08	2022 - 2082	2022 - 3082	6.00(0.236)	8.30(0.327)
10	2022- 2102	2022- 3102	8.00(0.315)	10.30(0.406)
12	2022- 2122	2022- 3122	10.00(0.394)	12.30(0.484)
14	2022- 2142	2022- 3142	12.00(0.472)	14.30(0.563)
16	2022- 2162	2022- 3162	14.00(0.551)	16.30(0.642)
18	2022- 2182	2022- 3182	16.00(0.630)	18.30(0.720)
20	2022- 2202	2022- 3202	18.00(0.709)	20.30(0.799)
22	2022- 2222	2022- 3222	20.00(0.787)	22.30(0.878)
24	2022- 2242	2022- 3242	22.00(0.866)	24.30(0.957)
26	2022- 2262	2022- 3262	24.00(0.945)	26.30(1.035)
28	2022- 2282	2022- 3282	26.00(1.024)	28.30(1.114)
30	2022- 2302	2022- 3302	28.00(1.102)	30.30(1.193)
32	2022- 2322	2022- 3322	30.00(1.181)	32.30(1.272)
34	2022- 2342	2022- 3342	32.00(1.260)	34.30(1.350)
36	2022- 2362	2022- 3362	34.00(1.339)	36.30(1.429)
38	2022- 2382	2022- 3382	36.00(1.417)	38.30(1.508)
40	2022- 2402	2022- 3402	38.00(1.496)	40.30(1.587)
42	2022- 2422	2022- 3422	40.00(1.575)	42.30(1.665)
44	2022- 2442	2022- 3442	42.00(1.654)	44.30(1.744)
46	2022- 2462	2022- 3462	44.00(1.732)	46.30(1.823)
48	2022- 2482	2022- 3482	46.00(1.811)	48.30(1.902)
50	2022- 2502	2022- 3502	48.00(1.890)	50.30(1.980)

