

# CRIMP TYPE LATCH HOUSING

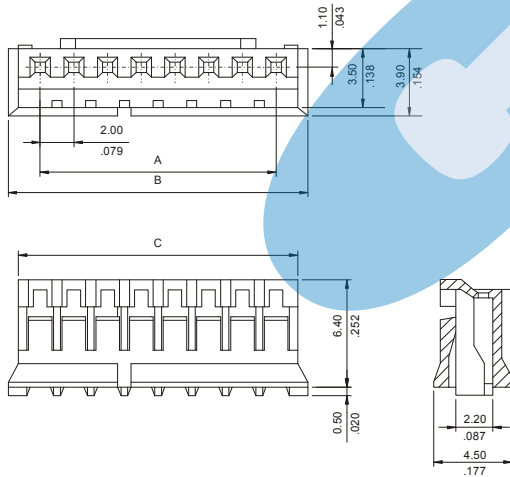


## 2010 SERIES. 2.00mm(0.079"). With Moulded Locking Ramp

### Features

- Available in 2 through 16 circuits
- Material: Nylon 6/6 UL 94V-0
- With moulded locking ramp
- Accepts 2033 series crimp terminal
- Mates with 2.00mm(0.079") headers without polarisation
- Mates with 2011, 2012 and 2013 series
- Low profile

### Dimensional Information



### Ordering and Dimensional Information

Circuit Size	Part Number	Dimensions		
		A	B	C
02	2010 - 2021	2,00(0,079)	5,80(0,228)	4,50(0,177)
03	2010 - 2031	4,00(0,157)	7,80(0,307)	6,50(0,256)
04	2010 - 2041	6,00(0,236)	9,80(0,386)	8,50(0,335)
05	2010 - 2051	8,00(0,315)	11,80(0,465)	10,50(0,413)
06	2010 - 2061	10,00(0,394)	13,80(0,543)	12,50(0,492)
07	2010 - 2071	12,00(0,472)	15,80(0,622)	14,50(0,571)
08	2010 - 2081	14,00(0,551)	17,80(0,701)	16,50(0,650)
09	2010 - 2091	16,00(0,630)	19,80(0,780)	18,50(0,728)
10	2010 - 2101	18,00(0,709)	21,80(0,858)	20,50(0,807)
11	2010 - 2111	20,00(0,787)	23,80(0,937)	22,50(0,886)
12	2010 - 2121	22,00(0,866)	25,80(1,016)	24,50(0,965)
13	2010 - 2131	24,00(0,945)	27,80(1,094)	26,50(1,043)
14	2010 - 2141	26,00(1,024)	29,80(1,173)	28,50(1,122)
15	2010 - 2151	28,00(1,102)	31,80(1,252)	30,50(1,201)
16	2010 - 2161	30,00(1,181)	33,80(1,331)	32,50(1,279)