

# SINGLE ROW RIGHT ANGLE HEADER

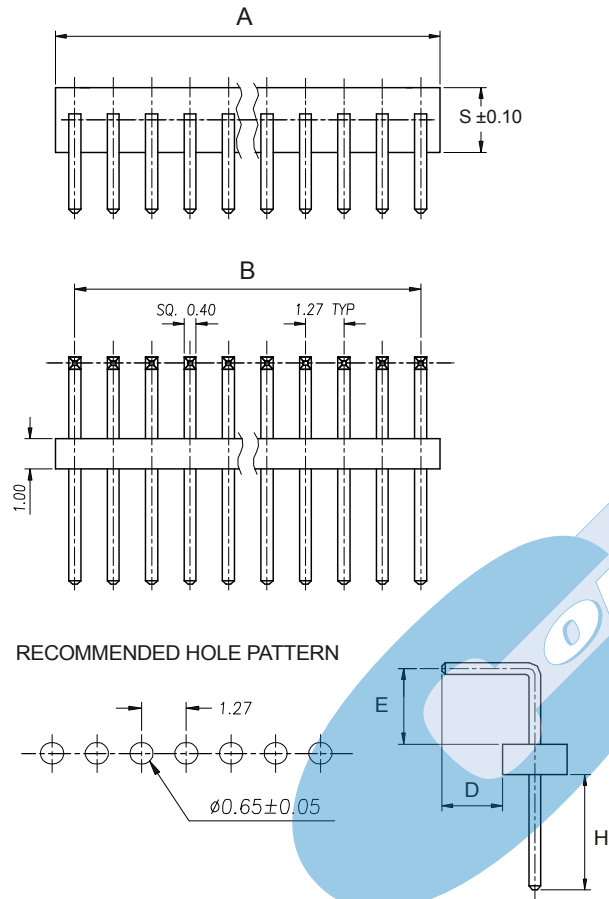


## 1374 SERIE 1.27 mm. (0.050"). For PCB solder

### Features

- Available in 2 through 33 circuits
- Insulator material: Thermoplastic UL 94V-0
- Mates with housing and dual row header 1.27mm
- Brass pin with different plating options
- Easy breakaway to desired circuit size
- 0.40 mm square pin
- Different pin measures
- For other options consult the Sales Office

### Dimensional Information:



### Ordering and Dimensional Information:

Circuit Size	Part Number	Dimensions	
		A	B
04	1374-T04C	3.81(0.150)	5.08(0.200)
05	1374-T05C	5.08(0.200)	6.35(0.250)
06	1374-T06C	6.35(0.250)	7.62(0.300)
07	1374-T07C	7.62(0.300)	8.89(0.350)
08	1374-T08C	8.89(0.350)	10.16(0.400)
09	1374-T09C	10.16(0.400)	11.43(0.450)
10	1374-T10C	11.43(0.450)	12.70(0.500)
11	1374-T11C	12.70(0.500)	13.97(0.550)
12	1374-T12C	13.97(0.550)	15.24(0.600)
13	1374-T13C	15.24(0.600)	16.51(0.650)
14	1374-T14C	16.51(0.650)	17.78(0.700)
15	1374-T15C	17.78(0.700)	19.05(0.750)
16	1374-T16C	19.05(0.750)	20.32(0.800)
17	1374-T17C	20.32(0.800)	21.59(0.850)
18	1374-T18C	21.59(0.850)	22.86(0.900)
19	1374-T19C	22.86(0.900)	24.13(0.950)
20	1374-T20C	24.13(0.950)	25.40(1.000)
21	1374-T21C	25.40(1.000)	26.67(1.050)
22	1374-T22C	26.67(1.050)	27.94(1.100)
23	1374-T23C	27.94(1.100)	29.21(1.150)
24	1374-T24C	29.21(1.150)	30.48(1.200)
25	1374-T25C	30.48(1.200)	31.75(1.250)
26	1374-T26C	31.75(1.250)	33.02(1.300)
27	1374-T27C	33.02(1.300)	34.29(1.350)
28	1374-T28C	34.29(1.350)	35.56(1.400)
29	1374-T29C	35.56(1.400)	36.83(1.450)
30	1374-T30C	36.83(1.450)	38.10(1.500)
31	1374-T31C	38.10(1.500)	39.37(1.550)
32	1374-T32C	39.37(1.550)	40.64(1.600)
33	1374-T33C	40.64(1.600)	41.91(1.650)
34	1374-T34C	41.91(1.650)	43.18(1.700)
35	1374-T35C	43.18(1.700)	44.45(1.750)
36	1374-T36C	44.45(1.750)	45.72(1.800)
37	1374-T37C	45.72(1.800)	46.99(1.850)
38	1374-T38C	46.99(1.850)	48.26(1.900)
39	1374-T39C	48.26(1.900)	49.53(1.950)
40	1374-T40C	49.53(1.950)	50.80(2.000)
41	1374-T41C	50.80(2.000)	52.07(2.050)
42	1374-T42C	52.07(2.050)	53.34(2.100)
43	1374-T43C	53.34(2.100)	54.61(2.150)
44	1374-T44C	54.61(2.150)	55.88(2.200)
45	1374-T45C	55.88(2.200)	57.15(2.250)
46	1374-T46C	57.15(2.250)	58.42(2.300)
47	1374-T47C	58.42(2.300)	59.69(2.350)
48	1374-T48C	59.69(2.350)	60.96(2.400)
49	1374-T49C	60.96(2.400)	62.23(2.450)
50	1374-T50C	62.23(2.450)	63.50(2.500)

### T = Contact Plating

- T = 2. Tin-plated.
- T = 3. Gold flash over 1.27 μ Ni.  
RECOMMENDED FINISH
- T = 5. 15μ" gold over 50μ" nickel
- T = 6. 30μ" gold over 50μ" nickel
- T = 13. Selec Gold flash over sobre 1.27 μ de Ni.
- T = 15. 0.38 μ selec Gold flash over 1.27 μ de Ni.
- T = 16. 0.76 μ selec Gold flash over 1.27 μ de Ni.

### C = Pin Length

- C = 0. H=3.00 mm. D= 2.30 mm. E= 2.10 mm. S= 2.20 mm.
- C = 1. H=3.81 mm. D= 2.00 mm. E=2.50 mm. S= 2.20 mm.
- C = 2. H=6.70 mm. D= 2.60 mm. E=1.30 mm. S= 2.20 mm.
- C = 3. H=3.70 mm. D= 1.91 mm. E=2.70 mm. S= 2.20 mm.
- C = 4. H=3.40 mm. D= 2.20 mm. E=1.30 mm. S= 2.20 mm.
- C = 5. H=2.60 mm. D= 3.00 mm. E=3.20 mm. S= 2.50 mm.
- C = 6. H=3.00 mm. D= 2.60 mm. E=1.50 mm. S= 2.20 mm.  
RECOMMENDED FINISH
- C = 7. H=4.50 mm. D= 2.60 mm. E=1.50 mm. S= 2.20 mm.
- C = 8. H=3.00 mm. D= 3.00 mm. E=2.10 mm. S= 2.20 mm.
- C = 9. H=2.60 mm. D= 3.00 mm. E=4.20 mm. S= 2.50 mm.