

# DUAL ROW RIGHT ANGLE HEADER

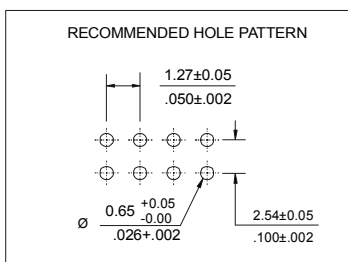
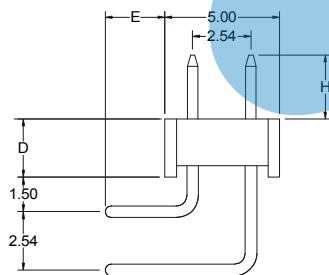
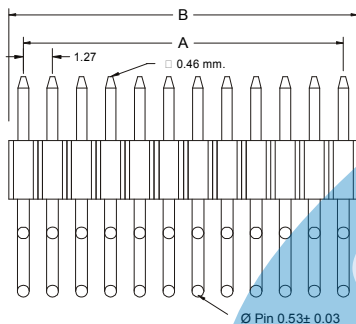
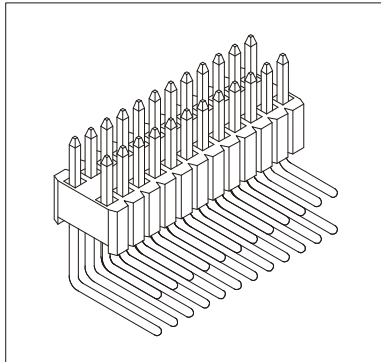


## 1359 SERIES. 1.27 x 2.54mm(0.050 x 0.100"). For PCB Solder

### Features

- Available in 6 through 80 circuits
- Mates with 1.27 x 2.54mm dual row housing and sockets
- Insulator Material: Polyester UL94V-0
- Contact Material: Copper alloy
- Different plating options are available
- 0.46mm square pin in contact area
- 0.53mm round pin in solder area
- For other options consult the Sales Office

### Dimensional Information



### Ordering and Dimensional Information

Circuit Size	Part Number	Dimensions	
		A	B
06	1359-T06C	2.54 (0.100)	3.81 (0.150)
08	1359-T08C	3.81 (0.150)	5.08(0.200)
10	1359-T10C	5.08(0.200)	6.35(0.250)
12	1359-T12C	6.35(0.250)	7.62(0.300)
14	1359-T14C	7.62(0.300)	8.89(0.350)
16	1359-T16C	8.89(0.350)	10.16(0.400)
18	1359-T18C	10.16(0.400)	11.43(0.450)
20	1359-T20C	11.43(0.450)	12.70(0.500)
22	1359-T22C	12.70(0.500)	13.97(0.550)
24	1359-T24C	13.97(0.550)	15.24(0.600)
26	1359-T26C	15.24(0.600)	16.51(0.650)
28	1359-T28C	16.51(0.650)	17.78(0.700)
30	1359-T30C	17.78(0.700)	19.05(0.750)
32	1359-T32C	19.05(0.750)	20.32(0.800)
34	1359-T34C	20.32(0.800)	21.59(0.850)
36	1359-T36C	21.59(0.850)	22.86(0.900)
38	1359-T38C	22.86(0.900)	24.13(0.950)
40	1359-T40C	24.13(0.950)	25.40(1.000)
42	1359-T42C	25.40(1.000)	26.67(1.050)
44	1359-T44C	26.67(1.050)	27.94(1.100)
46	1359-T46C	27.94(1.100)	29.21(1.150)
48	1359-T48C	29.21(1.150)	30.48(1.200)
50	1359-T50C	30.48(1.200)	31.75(1.250)
52	1359-T52C	31.75(1.250)	33.02(1.300)
54	1359-T54C	33.02(1.300)	34.29(1.350)
56	1359-T56C	34.29(1.350)	35.56(1.400)
58	1359-T58C	35.56(1.400)	36.83(1.450)
60	1359-T60C	36.83(1.450)	38.10(1.500)
62	1359-T62C	38.10(1.500)	39.37(1.550)
64	1359-T64C	39.37(1.550)	40.64(1.600)
66	1359-T66C	40.64(1.600)	41.91(1.650)
68	1359-T68C	41.91(1.650)	43.18(1.700)
70	1359-T70C	43.18(1.700)	44.45(1.750)
72	1359-T72C	44.45(1.750)	45.72(1.800)
74	1359-T74C	45.72(1.800)	46.99(1.850)
76	1359-T76C	46.99(1.850)	48.26(1.900)
78	1359-T78C	48.26(1.900)	49.53(1.950)
80	1359-T80C	49.53(1.950)	50.80(2.000)

### T = Contact Plating

- T = 2. Tin plated
- T = 3. Gold flash over 50µ" nickel  
Recommended Finish
- T = 5. 15µ" gold over 50µ" nickel
- T = 6. 30µ" gold over 50µ" nickel
- T = 13. Selective gold flash over 50µ" nickel
- T = 15. 15µ" selective gold over 50µ" nickel
- T = 16. 30µ" selective gold over 50µ" nickel

### C = Pin Length

- C = 1. H = 2.80mm ; D = 2.54mm ; E = 2.60mm
- C = 2. H = 6.00mm ; D = 2.54mm ; E = 2.60mm