

S/ ROW BREAKAWAY STRAIGHT HEADER

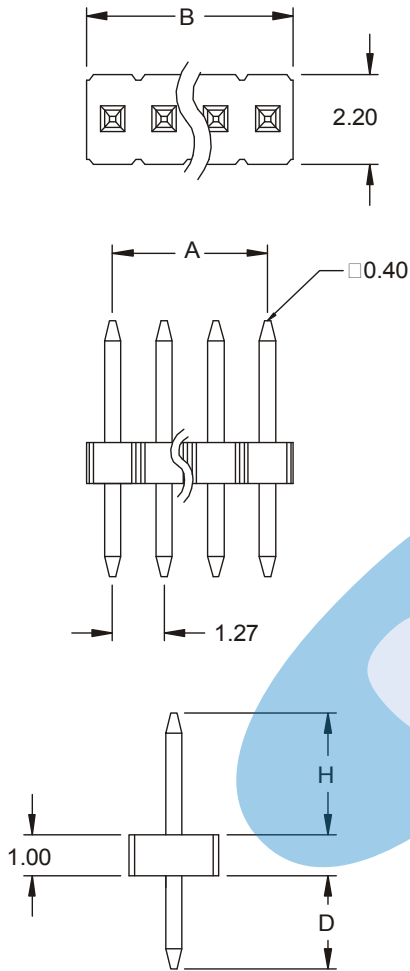


1350 SERIES. 1.27mm(0.050"). For PCB Solder

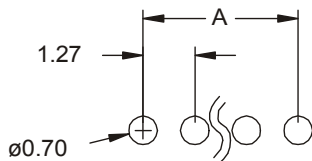
Features

- Available in 2 through 33 circuits
- Mates with 2.54mm(.100") single row housing and sockets
- Insulator Material: Polyester UL 94V-0. Colour: Black
- 0.40mm square pin in copper alloy
- Pin length and plating options are available
- Easy breakaway to desired circuit size
- For other options consult the Sales Office

Dimensional Information



RECOMMENDED HOLE PATTERN



Ordering and Dimensional Information

Circuit Size	Part Number	Dimensions	
		A	B
02	1350-T02C	1.27 (0.050)	2.54 (0.100)
03	1350-T03C	2.54 (0.100)	3.81(0.150)
04	1350-T04C	3.81(0.150)	5.08(0.200)
05	1350-T05C	5.08(0.200)	6.35(0.250)
06	1350-T06C	6.35(0.250)	7.62(0.300)
07	1350-T07C	7.62(0.300)	8.89(0.350)
08	1350-T08C	8.89(0.350)	10.16(0.400)
09	1350-T09C	10.16(0.400)	11.43(0.450)
10	1350-T10C	11.43(0.450)	12.70(0.500)
11	1350-T11C	12.70(0.500)	13.97(0.550)
12	1350-T12C	13.97(0.550)	15.24(0.600)
13	1350-T13C	15.24(0.600)	16.51(0.650)
14	1350-T14C	16.51(0.650)	17.78(0.700)
15	1350-T15C	17.78(0.700)	19.05(0.750)
16	1350-T16C	19.05(0.750)	20.32(0.800)
17	1350-T17C	20.32(0.800)	21.59(0.850)
18	1350-T18C	21.59(0.850)	22.86(0.900)
19	1350-T19C	22.86(0.900)	24.13(0.950)
20	1350-T20C	24.13(0.950)	25.40(1.000)
21	1350-T21C	25.40(1.000)	26.67(1.050)
22	1350-T22C	26.67(1.050)	27.94(1.100)
23	1350-T23C	27.94(1.100)	29.21(1.150)
24	1350-T24C	29.21(1.150)	30.48(1.200)
25	1350-T25C	30.48(1.200)	31.75(1.250)
26	1350-T26C	31.75(1.250)	33.02(1.300)
27	1350-T27C	33.02(1.300)	34.29(1.350)
28	1350-T28C	34.29(1.350)	35.56(1.400)
29	1350-T29C	35.56(1.400)	36.83(1.450)
30	1350-T30C	36.83(1.450)	38.10(1.500)
31	1350-T31C	38.10(1.500)	39.37(1.550)
32	1350-T32C	39.37(1.550)	40.64(1.600)
33	1350-T33C	40.64(1.600)	41.91(1.650)

T = Contact Plating

- T = 2. Tin plated
- T = 3. Gold flash over 50µ" nickel
Recommended Finish
- T = 5. 15µ" gold over 50µ" nickel
- T = 6. 30µ" gold over 50µ" nickel
- T = 13. Selective gold flash over 50µ" nickel
- T = 15. 15µ" selective gold over 50µ" nickel
- T = 16. 30µ" selective gold over 50µ" nickel

C = Pin Length

- C = 1. D = 2.30mm ; H = 3.00mm
- C = 2. D = 3.30mm ; H = 3.00mm
- C = 3. D = 4.20mm ; H = 3.00mm
- C = 4. D = 1.80mm ; H = 3.50mm