

1.27mm DUAL ROW FEMALE HEADER

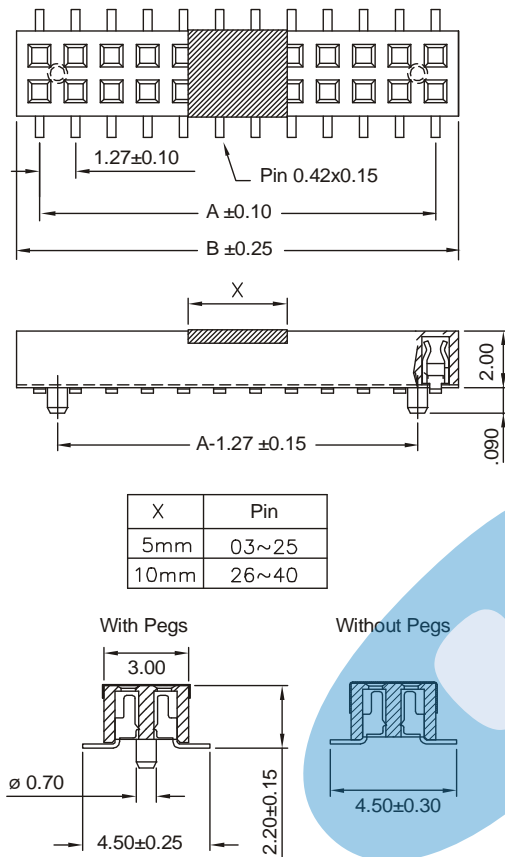


1305 SERIES. 1.27 x 1.27mm(0.050 x 0.050").SMT

Features

- Available in 6 through 80 circuits
- Insulator Material: Thermoplastic UL 94V-0
- Mates with 1.27 x 1.27mm pitch and 0.40mm square or round pin header
- Contact Material: High reliability Copper alloy
- Top and bottom entry of male header
- Optional fixing pegs
- For other options consult the Sales Office

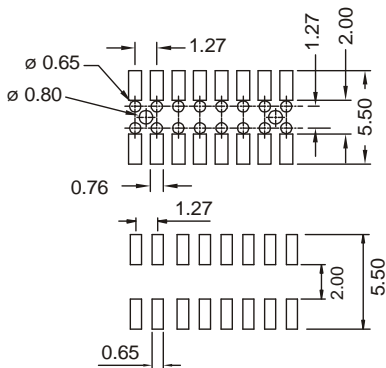
Dimensional Information



Ordering and Dimensional Information

Circuit Size	Part Number		Dimensions	
	Without Pegs	With Pegs	A	B
06	1305-T081E	1305-T082E	2,54(0,100)	4,21(0,165)
08	1305-T081E	1305-T082E	3,81(0,150)	5,48(0,216)
10	1305-T101E	1305-T102E	5,08(0,200)	6,75(0,266)
12	1305-T121E	1305-T122E	6,35(0,250)	8,02(0,316)
14	1305-T141E	1305-T142E	7,62(0,300)	9,29(0,366)
16	1305-T161E	1305-T162E	8,89(0,350)	10,56(0,416)
18	1305-T181E	1305-T182E	10,16(0,400)	11,83(0,466)
20	1305-T201E	1305-T202E	11,43(0,450)	13,10(0,516)
22	1305-T221E	1305-T222E	12,70(0,500)	14,37(0,566)
24	1305-T241E	1305-T242E	13,97(0,550)	15,64(0,616)
26	1305-T261E	1305-T262E	15,24(0,600)	16,91(0,666)
28	1305-T281E	1305-T282E	16,51(0,650)	18,18(0,716)
30	1305-T301E	1305-T302E	17,78(0,700)	19,45(0,766)
32	1305-T321E	1305-T322E	19,05(0,750)	20,72(0,816)
34	1305-T341E	1305-T342E	20,32(0,800)	21,99(0,866)
36	1305-T361E	1305-T362E	21,59(0,850)	23,26(0,916)
38	1305-T381E	1305-T382E	22,86(0,900)	24,53(0,966)
40	1305-T401E	1305-T402E	24,13(0,950)	25,80(1,016)
42	1305-T421E	1305-T422E	25,40(1,000)	27,07(1,066)
44	1305-T441E	1305-T442E	26,67(1,050)	28,34(1,116)
46	1305-T461E	1305-T462E	27,94(1,100)	29,61(1,166)
48	1305-T481E	1305-T482E	29,21(1,150)	30,88(1,216)
50	1305-T501E	1305-T502E	30,48(1,200)	32,15(1,266)
52	1305-T521E	1305-T522E	31,75(1,250)	33,42(1,316)
54	1305-T541E	1305-T542E	33,02(1,300)	34,69(1,366)
56	1305-T561E	1305-T562E	34,29(1,350)	35,96(1,416)
58	1305-T581E	1305-T582E	35,56(1,400)	37,23(1,466)
60	1305-T601E	1305-T602E	36,83(1,450)	38,50(1,516)
62	1305-T621E	1305-T622E	38,10(1,500)	39,77(1,566)
64	1305-T641E	1305-T642E	39,37(1,550)	41,04(1,616)
66	1305-T661E	1305-T662E	40,64(1,600)	42,31(1,666)
68	1305-T681E	1305-T682E	41,91(1,650)	43,58(1,716)
70	1305-T701E	1305-T702E	43,18(1,700)	44,85(1,766)
72	1305-T721E	1305-T722E	44,45(1,750)	46,12(1,816)
74	1305-T741E	1305-T742E	45,72(1,800)	47,39(1,866)
76	1305-T761E	1305-T762E	46,99(1,850)	48,66(1,916)
78	1305-T781E	1305-T782E	48,26(1,900)	49,93(1,966)
80	1305-T801E	1305-T802E	49,53(1,950)	51,20(2,016)

RECOMMENDED PCB LAYOUT



T = Contact Plating

- T = 2. Tin plated
- T = 3. Gold flash over 50µ" nickel
Recommended Finish
- T = 5. 15µ" gold over 50µ" nickel
- T = 6. 30µ" gold over 50µ" nickel

E = Packing Options

- E = 1. PAD + TUBE
- E = 2. PAD + REEL
- E = 5. METAL PAD + TUBE
- E = 6. METAL PAD + TUBE