

MALE STRAIGHT POLARIZED HEADER

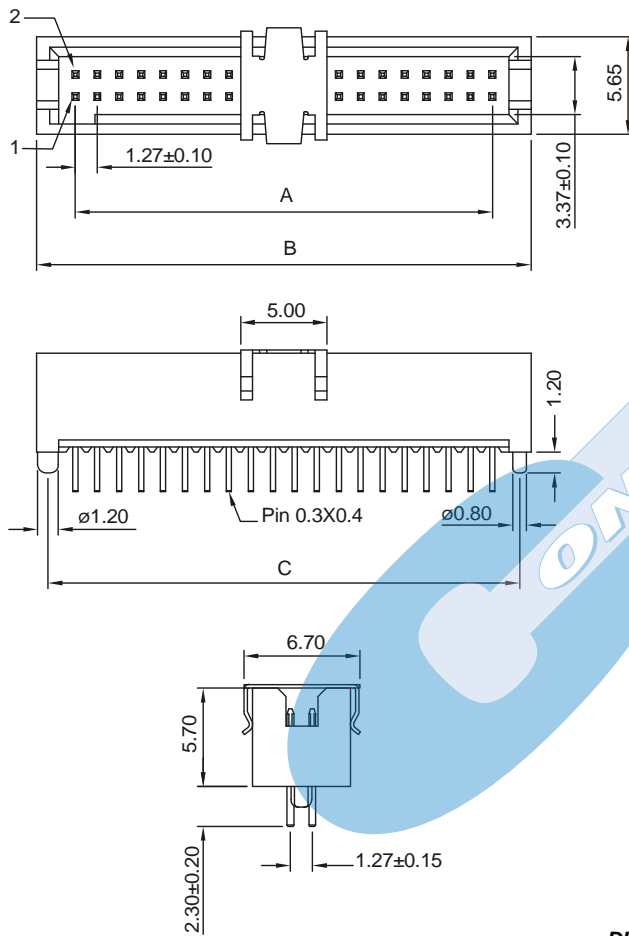


1303 SERIE 1.27 x 1.27 mm. (0.050 x 0.050"). For PCB solder

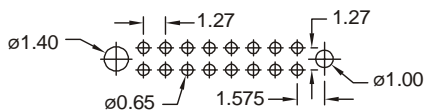
Features

- Available in 10 through 120 circuits
- Mates with female header 1301 and 1302 serie
- Completely polarized and protected
- Insulator material: Polyester / Nylon 6-T UL 94V-0
- Different plating options are available
- 0.40 mm square pin
- Height over PCB 5.70 mm.
- Available in different length
- For other options consult the Sales Office

Dimensional Information:



RECOMMENDED HOLA PATTERN



Ordering and Dimensional Information:

1303 - T- XX- P- E

1 2 3 4 5

1. Connector Series

2. Contact Plating

- T = 2. Tin-plated.

- T = 3. Gold flash over 1.27 μ Ni.

RECOMMENDED FINISH

- T = 4. 0.25 μ Gold over 1.27 μ Ni.

- T = 5. 0.38 μ Gold over 1.27 μ Ni.

- T = 6. 0.75 μ Gold over 1.27 μ Ni.

3. Number Of Contact

- Available in 6 through 120 circuits

4. Fixing Post

- P = 2. With fixing post

5. Connector Packaging

- E = 1. Tube + plastic cover

- E = 2. Reel + plastic cover

- E = 3. Tube + Film

- E = 4. Reel + Film

- E = 5. Tube + metallic cover

- E = 6. Reel + metallic cover

DIMENSIONS:

$$A = 1.27 \left(\frac{XX}{2} - 1 \right) \quad B = 3.20 + 1.27 \left(\frac{XX}{2} \right) \quad C = 1.88 + 1.27 \left(\frac{XX}{2} \right)$$

XX = Number of circuits