

1.27mm STRAIGHT PCB SOCKET SMT

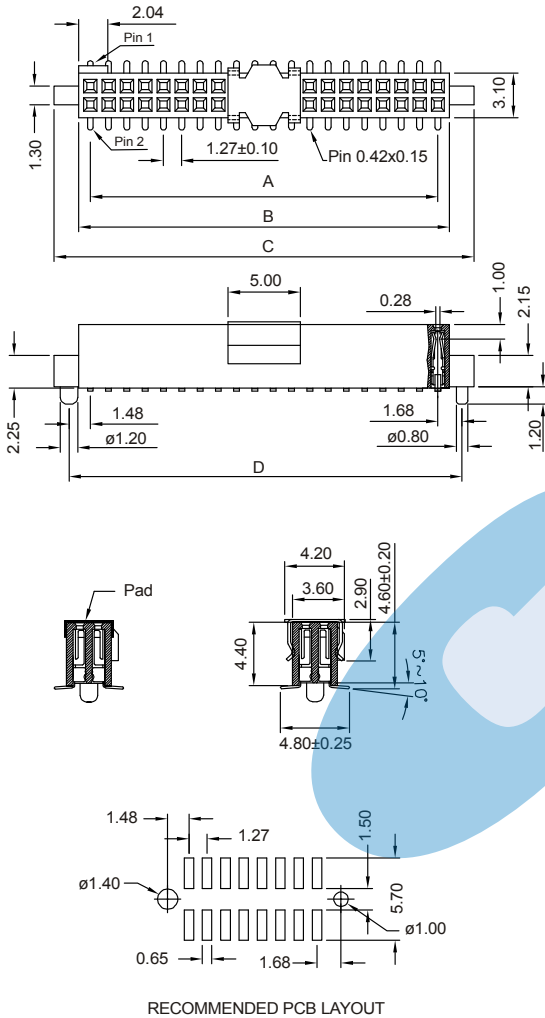


1302 SERIES. 1.27 x 1.27mm(0.050 x 0.050"). For PCB Solder

Features

- Available in 10 through 100 circuits
- Mates with 1303 and 1304 series and 1.27 x 1.27mm dual row connectors
- 0.40mm Square Pin
- Insulator Material: Thermoplastic UL 94V-0
- Contact Material: Copper alloy with different plating options
- Profile: 4.40mm
- With fixing post and cap option
- For other options consult the Sales Office

Dimensional Information



Ordering and Dimensional Information

Circuit Size	Part Number	Dimensions		
		A	B	C
10	1302-T101E	6,35(0,250)	7,62(0,300)	8,12(0,320)
12	1302-T121E	7,62(0,300)	8,89(0,350)	9,39(0,370)
14	1302-T141E	8,89(0,350)	10,16(0,400)	10,66(0,420)
16	1302-T161E	10,16(0,400)	11,43(0,450)	11,93(0,470)
18	1302-T181E	11,43(0,450)	12,70(0,500)	13,20(0,520)
20	1302-T201E	12,70(0,500)	13,97(0,550)	14,47(0,570)
22	1302-T221E	13,97(0,550)	15,24(0,600)	15,74(0,620)
24	1302-T241E	15,24(0,600)	16,51(0,650)	17,01(0,670)
26	1302-T261E	16,51(0,650)	17,78(0,700)	18,28(0,720)
28	1302-T281E	17,78(0,700)	19,05(0,750)	19,55(0,770)
30	1302-T301E	19,05(0,750)	20,32(0,800)	20,82(0,820)
32	1302-T321E	20,32(0,800)	21,59(0,850)	22,09(0,870)
34	1302-T341E	21,59(0,850)	22,86(0,900)	23,36(0,920)
36	1302-T361E	22,86(0,900)	24,13(0,950)	24,63(0,970)
38	1302-T381E	24,13(0,950)	25,40(1,000)	25,90(1,020)
40	1302-T401E	25,40(1,000)	26,67(1,050)	27,17(1,070)
42	1302-T421E	26,67(1,050)	27,94(1,100)	28,44(1,120)
44	1302-T441E	27,94(1,100)	29,21(1,150)	29,71(1,170)
46	1302-T461E	29,21(1,150)	30,48(1,200)	30,98(1,220)
48	1302-T481E	30,48(1,200)	31,75(1,250)	32,25(1,270)
50	1302-T501E	31,75(1,250)	33,02(1,300)	33,52(1,320)
52	1302-T521E	33,02(1,300)	34,29(1,350)	34,79(1,370)
54	1302-T541E	34,29(1,350)	35,56(1,400)	36,06(1,420)
56	1302-T561E	35,56(1,400)	36,83(1,450)	37,33(1,470)
58	1302-T581E	36,83(1,450)	38,10(1,500)	38,60(1,520)
60	1302-T601E	38,10(1,500)	39,37(1,550)	39,87(1,570)
62	1302-T621E	39,37(1,550)	40,64(1,600)	41,14(1,620)
64	1302-T641E	40,64(1,600)	41,91(1,650)	42,41(1,670)
66	1302-T661E	41,91(1,650)	43,18(1,700)	43,68(1,720)
68	1302-T681E	43,18(1,700)	44,45(1,750)	44,95(1,770)
70	1302-T701E	44,45(1,750)	45,72(1,800)	46,22(1,820)
72	1302-T721E	45,72(1,800)	46,99(1,850)	47,49(1,870)
74	1302-T741E	46,99(1,850)	48,26(1,900)	48,76(1,920)
76	1302-T761E	48,26(1,900)	49,53(1,950)	50,03(1,970)
78	1302-T781E	49,53(1,950)	50,80(2,000)	51,30(2,020)
80	1302-T801E	50,80(2,000)	52,07(2,050)	52,57(2,070)
82	1302-T821E	52,07(2,050)	53,34(2,100)	53,84(2,120)
84	1302-T841E	53,34(2,100)	54,61(2,150)	55,11(2,170)
86	1302-T861E	54,61(2,150)	55,88(2,200)	56,38(2,220)
88	1302-T881E	55,88(2,200)	57,15(2,250)	57,65(2,270)
90	1302-T901E	57,15(2,250)	58,42(2,300)	58,92(2,320)
92	1302-T921E	58,42(2,300)	59,69(2,350)	60,19(2,370)
94	1302-T941E	59,69(2,350)	60,96(2,400)	61,46(2,420)
96	1302-T961E	60,96(2,400)	62,23(2,450)	62,73(2,470)
98	1302-T981E	62,23(2,450)	63,50(2,500)	64,00(2,520)
100	1302-T001E	63,50(2,500)	64,77(2,550)	65,27(2,570)

Packing Options

- E = 1. Tube + Pad
- E = 2. Reel + Pad
- E = 3. Tube + Film
- E = 4. Reel + Film

Plating Options

- T = 2. Tin plated
- T = 3. Gold flash over 50µ" nickel.
Recommended Finish
- T = 5. 15µ" gold over 50µ" nickel
- T = 6. 30µ" gold over 50µ" nickel