

8.50mm DUAL ROW FEMALE HEADER

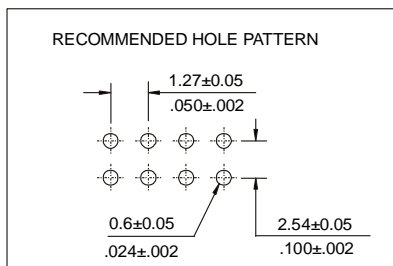
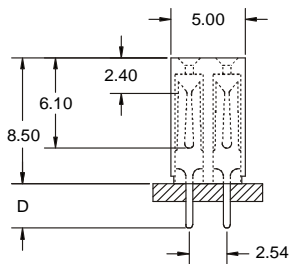
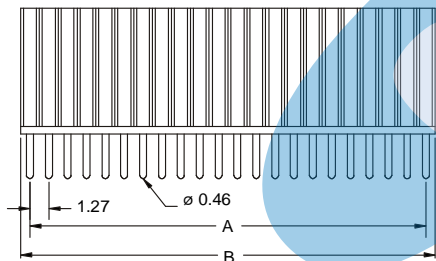
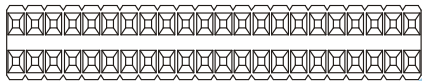
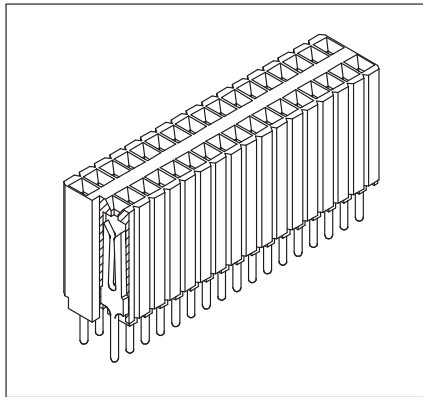


1285 SERIES. 1.27mm(0.050"). For PCB Solder

Features

- Available in 6 through 70 circuits
- Insulator Material: Nylon 6-T UL 94V-0
- Mates with 1.27mm Pitch and 0.46mm square or round pin header
- Profile: 8.50mm
- Low profile and High density
- High reliability contact in Phosphor bronze
- For other options consult to Sales Office

Dimensional Information



Ordering and Dimensional Information

Circuit Size	Part Number	Dimensions	
		A	B
06	1285-T06C	2,54(0,100)	3,81(0,150)
08	1285-T08C	3,81(0,150)	5,08(0,200)
10	1285-T10C	5,08(0,200)	6,35(0,250)
12	1285-T12C	6,35(0,250)	7,62(0,300)
14	1285-T14C	7,62(0,300)	8,89(0,350)
16	1285-T16C	8,89(0,350)	10,16(0,400)
18	1285-T18C	10,16(0,400)	11,43(0,450)
20	1285-T20C	11,43(0,450)	12,70(0,500)
22	1285-T22C	12,70(0,500)	13,97(0,550)
24	1285-T24C	13,97(0,550)	15,24(0,600)
26	1285-T26C	15,24(0,600)	16,51(0,650)
28	1285-T28C	16,51(0,650)	17,78(0,700)
30	1285-T30C	17,78(0,700)	19,05(0,750)
32	1285-T32C	19,05(0,750)	20,32(0,800)
34	1285-T34C	20,32(0,800)	21,59(0,850)
36	1285-T36C	21,59(0,850)	22,86(0,900)
38	1285-T38C	22,86(0,900)	24,13(0,950)
40	1285-T40C	24,13(0,950)	25,40(1,000)
42	1285-T42C	25,40(1,000)	26,67(1,050)
44	1285-T44C	26,67(1,050)	27,94(1,100)
46	1285-T46C	27,94(1,100)	29,21(1,150)
48	1285-T48C	29,21(1,150)	30,48(1,200)
50	1285-T50C	30,48(1,200)	31,75(1,250)
52	1285-T52C	31,75(1,250)	33,02(1,300)
54	1285-T54C	33,02(1,300)	34,29(1,350)
56	1285-T56C	34,29(1,350)	35,56(1,400)
58	1285-T58C	35,56(1,400)	36,83(1,450)
60	1285-T60C	36,83(1,450)	38,10(1,500)
62	1285-T62C	38,10(1,500)	39,37(1,550)
64	1285-T64C	39,37(1,550)	40,64(1,600)
66	1285-T66C	40,64(1,600)	41,91(1,650)
68	1285-T68C	41,91(1,650)	43,18(1,700)
70	1285-T70C	43,18(1,700)	44,45(1,750)

T = Contact Plating

- T = 2. Tin plated
- T = 3. Gold flash over 50μ" nickel
Recommended Finish
- T = 5. 15μ" gold over 50μ" nickel
- T = 6. 30μ" gold over 50μ" nickel

C = Pin Length

- C = 1. D = 2.70mm
- C = 2. D = 3.00mm