

DUAL INSULATOR STRAIGHT HEADER

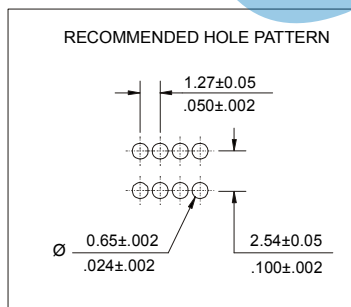
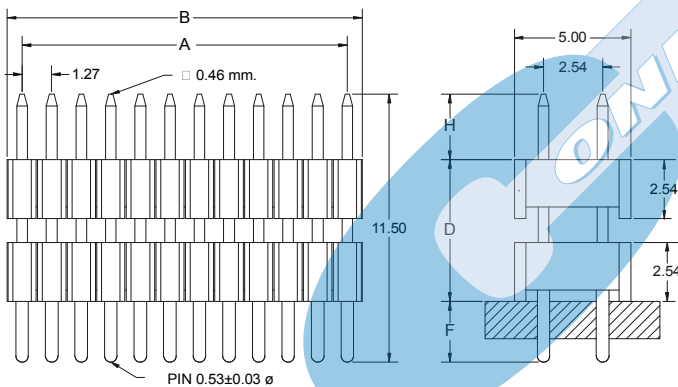
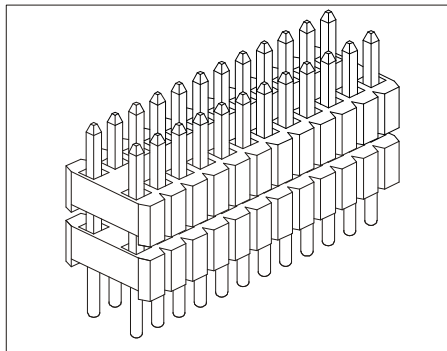


1281 SERIES. 1.27 x 2.54mm(0.050 x 0.100"). For PCB Solder

Features

- Available in 6 through 80 circuits
- Mates with 1.27 x 2.54mm dual row housing and socket
- Insulator Material: Nylon 6-T UL94V-0
- Contact Material: Copper alloy
- Different plating options are available
- 0.46mm Square pin in contact area
- 0.53mm Round pin in solder area
- For other options consult the Sales Office

Dimensional Information



Ordering and Dimensional Information

Circuit Size	Part Number	Dimensions	
		A	B
06	1281-T06C	2.54 (0.100)	3.81 (0.150)
08	1281-T08C	3.81 (0.150)	5.08 (0.200)
10	1281-T10C	5.08 (0.200)	6.35 (0.250)
12	1281-T12C	6.35 (0.250)	7.62 (0.300)
14	1281-T14C	7.62 (0.300)	8.89 (0.350)
16	1281-T16C	8.89 (0.350)	10.16 (0.400)
18	1281-T18C	10.16 (0.400)	11.43 (0.450)
20	1281-T20C	11.43 (0.450)	12.70 (0.500)
22	1281-T22C	12.70 (0.500)	13.97 (0.550)
24	1281-T24C	13.97 (0.550)	15.24 (0.600)
26	1281-T26C	15.24 (0.600)	16.51 (0.650)
28	1281-T28C	16.51 (0.650)	17.78 (0.700)
30	1281-T30C	17.78 (0.700)	19.05 (0.750)
32	1281-T32C	19.05 (0.750)	20.32 (0.800)
34	1281-T34C	20.32 (0.800)	21.59 (0.850)
36	1281-T36C	21.59 (0.850)	22.86 (0.900)
38	1281-T38C	22.86 (0.900)	24.13 (0.950)
40	1281-T40C	24.13 (0.950)	25.40 (1.000)
42	1281-T42C	25.40 (1.000)	26.67 (1.050)
44	1281-T44C	26.67 (1.050)	27.94 (1.100)
46	1281-T46C	27.94 (1.100)	29.21 (1.150)
48	1281-T48C	29.21 (1.150)	30.48 (1.200)
50	1281-T50C	30.48 (1.200)	31.75 (1.250)
52	1281-T52C	31.75 (1.250)	33.02 (1.300)
54	1281-T54C	33.02 (1.300)	34.29 (1.350)
56	1281-T56C	34.29 (1.350)	35.56 (1.400)
58	1281-T58C	35.56 (1.400)	36.83 (1.450)
60	1281-T60C	36.83 (1.450)	38.10 (1.500)
62	1281-T62C	38.10 (1.500)	39.37 (1.550)
64	1281-T64C	39.37 (1.550)	40.64 (1.600)
66	1281-T66C	40.64 (1.600)	41.91 (1.650)
68	1281-T68C	41.91 (1.650)	43.18 (1.700)
70	1281-T70C	43.18 (1.700)	44.45 (1.750)
72	1281-T72C	44.45 (1.750)	45.72 (1.800)
74	1281-T74C	45.72 (1.800)	46.99 (1.850)
76	1281-T76C	46.99 (1.850)	48.26 (1.900)
78	1281-T78C	48.26 (1.900)	49.53 (1.950)
80	1281-T80C	49.53 (1.950)	50.80 (2.000)

T = Contact Plating

- T = 2. Tin plated
- T = 3. Gold flash over 50µ" nickel
Recommended Finish
- T = 5. 15µ" gold over 50µ" nickel
- T = 6. 30µ" gold over 50µ" nickel
- T = 13. Selective gold flash over 50µ" nickel
- T = 15. 15µ" selective gold over 50µ" nickel
- T = 16. 30µ" selective gold over 50µ" nickel

NOTE: The dimensions H, D and F, are optional

- C = 1. H = 2.80mm ; D = 6.10mm ; F = 2.60mm
- C = 2. H = 6.00mm ; D = 6.10mm ; F = 2.60mm
- C = 3. H = 2.70mm ; D = 15.40mm ; F = 2.60mm

For an other length consult the Sales Office