

DUAL ROW STRAIGHT HEADER

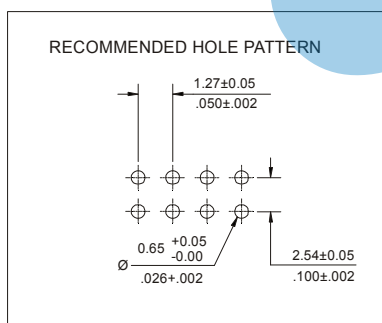
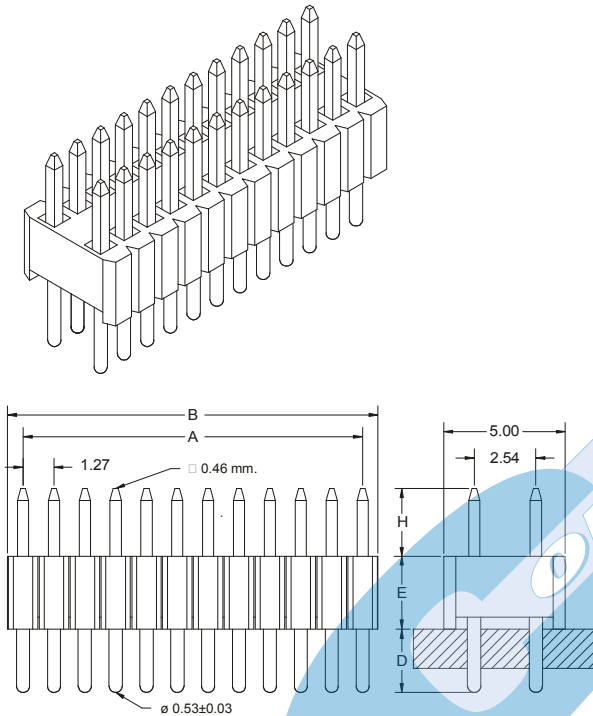


1280 SERIES. 1.27 x 2.54mm(0.050 x 0.100"). For PCB Solder

Features

- Available in 6 through 80 circuits
- Mates with 1.27 x 2.54mm dual row housing and socket
- Insulator Material: Nylon 6-T UL 94V-0
- Contact Material: Copper alloy
- Different plating options are available
- 0.46mm Square pin in contact area
- 0.53mm Round pin in solder area
- For other options consult the Sales Office

Dimensional Information



C = Pin Length

- C = 1. Dim. H = 2.80 mm. D = 2.60 mm.
- C = 2. Dim. H = 6.00 mm. D = 3.00 mm.
- C = 3. Dim. H = 15.40 mm. D = 3.00 mm.

Ordering and Dimensional Information

CIRCUITOS	CÓDIGOS	DIMENSIONES	
		A	B
06	1280-T06CS	2,54 (0,100)	3,81(0,150)
08	1280-T08CS	3,81(0,150)	5,08(0,200)
10	1280-T10CS	5,08(0,200)	6,35(0,250)
12	1280-T12CS	6,35(0,250)	7,62(0,300)
14	1280-T14CS	7,62(0,300)	8,89(0,350)
16	1280-T16CS	8,89(0,350)	10,16(0,400)
18	1280-T18CS	10,16(0,400)	11,43(0,450)
20	1280-T20CS	11,43(0,450)	12,70(0,500)
22	1280-T22CS	12,70(0,500)	13,97(0,550)
24	1280-T24CS	13,97(0,550)	15,24(0,600)
26	1280-T26CS	15,24(0,600)	16,51(0,650)
28	1280-T28CS	16,51(0,650)	17,78(0,700)
30	1280-T30CS	17,78(0,700)	19,05(0,750)
32	1280-T32CS	19,05(0,750)	20,32(0,800)
34	1280-T34CS	20,32(0,800)	21,59(0,850)
36	1280-T36CS	21,59(0,850)	22,86(0,900)
38	1280-T38CS	22,86(0,900)	24,13(0,950)
40	1280-T40CS	24,13(0,950)	25,40(1,000)
42	1280-T42CS	25,40(1,000)	26,67(1,050)
44	1280-T44CS	26,67(1,050)	27,94(1,100)
46	1280-T46CS	27,94(1,100)	29,21(1,150)
48	1280-T48CS	29,21(1,150)	30,48(1,200)
50	1280-T50CS	30,48(1,200)	31,75(1,250)
52	1280-T52CS	31,75(1,250)	33,02(1,300)
54	1280-T54CS	33,02(1,300)	34,29(1,350)
56	1280-T56CS	34,29(1,350)	35,56(1,400)
58	1280-T58CS	35,56(1,400)	36,83(1,450)
60	1280-T60CS	36,83(1,450)	38,10(1,500)
62	1280-T62CS	38,10(1,500)	39,37(1,550)
64	1280-T64CS	39,37(1,550)	40,64(1,600)
66	1280-T66CS	40,64(1,600)	41,91(1,650)
68	1280-T68CS	41,91(1,650)	43,18(1,700)
70	1280-T70CS	43,18(1,700)	44,45(1,750)
72	1280-T72CS	44,45(1,750)	45,72(1,800)
74	1280-T74CS	45,72(1,800)	46,99(1,850)
76	1280-T76CS	46,99(1,850)	48,26(1,900)
78	1280-T78CS	48,26(1,900)	49,53(1,950)
80	1280-T80CS	49,53(1,950)	50,80(2,000)

T = Contact Plating

- T = 2. Tin plated
- T = 3. Gold flash over 50µ" nickel
Recommended Finish
- T = 5. 15µ" gold over 50µ" nickel
- T = 6. 30µ" gold over 50µ" nickel
- T = 13. Selective gold flash over 50µ" nickel
- T = 15. 15µ" selective gold over 50µ" nickel
- T = 16. 30µ" selective gold over 50µ" nickel

S = Insulator Dimensions

- S = 1. Dimension E = 2.54mm
(Standard Option)
- S = 2. Dimension E = 3.00mm
- S = 3. Dimension E = 1.70mm