

SINGLE ROW STRAIGHT HEADER

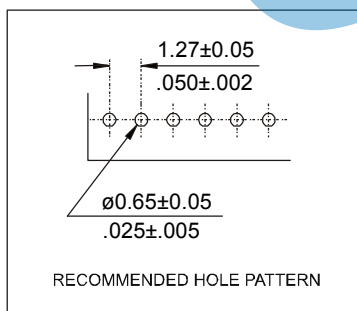
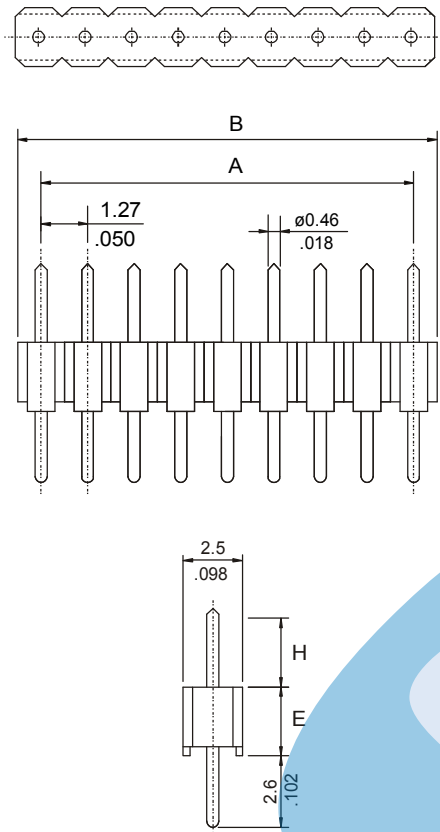


1271 SERIES 1.27mm(.050") Single Row Breakaway Header

Features

- Available in 2 through 32 circuits
- Colour: Black
- Insulator Material: Glass filled polyester UL 94V-0
- Pin length and plating options are available
- 0.46mm(.018") square pin in brass
- Pin omit options are available in any circuits
- Without polarising
- With standoff

Dimensional Information



Ordering and Dimensional Information

Circuit Size	Part Number		Dimensions	
	H=2.8mm	H=6mm	A	B
02	1271 -T021S	1271 -T022S	1,27(0,050)	2,54(0,100)
03	1271 -T031S	1271 -T032S	2,54(0,100)	3,81(0,150)
04	1271 -T041S	1271 -T042S	3,81(0,150)	5,08(0,200)
05	1271 -T051S	1271 -T052S	5,08(0,200)	6,35(0,250)
06	1271 -T061S	1271 -T062S	6,35(0,250)	7,62(0,300)
07	1271 -T071S	1271 -T072S	7,62(0,300)	8,89(0,350)
08	1271 -T081S	1271 -T082S	8,89(0,350)	10,16(0,400)
09	1271 -T091S	1271 -T092S	10,16(0,400)	11,43(0,450)
10	1271 -T101S	1271 -T102S	11,43(0,450)	12,70(0,500)
11	1271 -T111S	1271 -T112S	12,70(0,500)	13,97(0,550)
12	1271 -T121S	1271 -T122S	13,97(0,550)	15,24(0,600)
13	1271 -T131S	1271 -T132S	15,24(0,600)	16,51(0,650)
14	1271 -T141S	1271 -T142S	16,51(0,650)	17,78(0,700)
15	1271 -T151S	1271 -T152S	17,78(0,700)	19,05(0,750)
16	1271 -T161S	1271 -T162S	19,05(0,750)	20,32(0,800)
17	1271 -T171S	1271 -T172S	20,32(0,800)	21,59(0,850)
18	1271 -T181S	1271 -T182S	21,59(0,850)	22,86(0,900)
19	1271 -T191S	1271 -T192S	22,86(0,900)	24,13(0,950)
20	1271 -T201S	1271 -T202S	24,13(0,950)	25,40(1,000)
21	1271 -T211S	1271 -T212S	25,40(1,000)	26,67(1,050)
22	1271 -T221S	1271 -T222S	26,67(1,050)	27,94(1,100)
23	1271 -T231S	1271 -T232S	27,94(1,100)	29,21(1,150)
24	1271 -T241S	1271 -T242S	29,21(1,150)	30,48(1,200)
25	1271 -T251S	1271 -T252S	30,48(1,200)	31,75(1,250)
26	1271 -T261S	1271 -T262S	31,75(1,250)	33,02(1,300)
27	1271 -T271S	1271 -T272S	33,02(1,300)	34,29(1,350)
28	1271 -T281S	1271 -T282S	34,29(1,350)	35,56(1,400)
29	1271 -T291S	1271 -T292S	35,56(1,400)	36,83(1,450)
30	1271 -T301S	1271 -T302S	36,83(1,450)	38,10(1,500)
31	1271 -T311S	1271 -T312S	38,10(1,500)	39,37(1,550)
32	1271 -T321S	1271 -T322S	39,37(1,550)	40,64(1,600)

T = Contact Plating

- T = 2. Tin plated.
- T = 3. Gold flash over 50µ" nickel
Recommended Finish
- T = 5. 15µ" gold over 50µ" nickel
- T = 6. 30µ" gold over 50µ" nickel
- T = 13. Selective gold flash over 50µ" nickel
- T = 15. 15µ" selective gold over 50µ" nickel
- T = 16. 30µ" selective gold over 50µ" nickel

S = Insulator Dimensions

- S = 1. Dimension E = 2.54mm
Recommended Finish
- S = 2. Dimension E = 3.00mm
- S = 3. Dimension E = 1.70mm
- S = 4. Dimension E = 3.40mm
- S = 5. Dimension E = 3.95mm
- S = 6. Dimension E = 2.00mm.
- S = 7. Dimension E = 1.40mm.